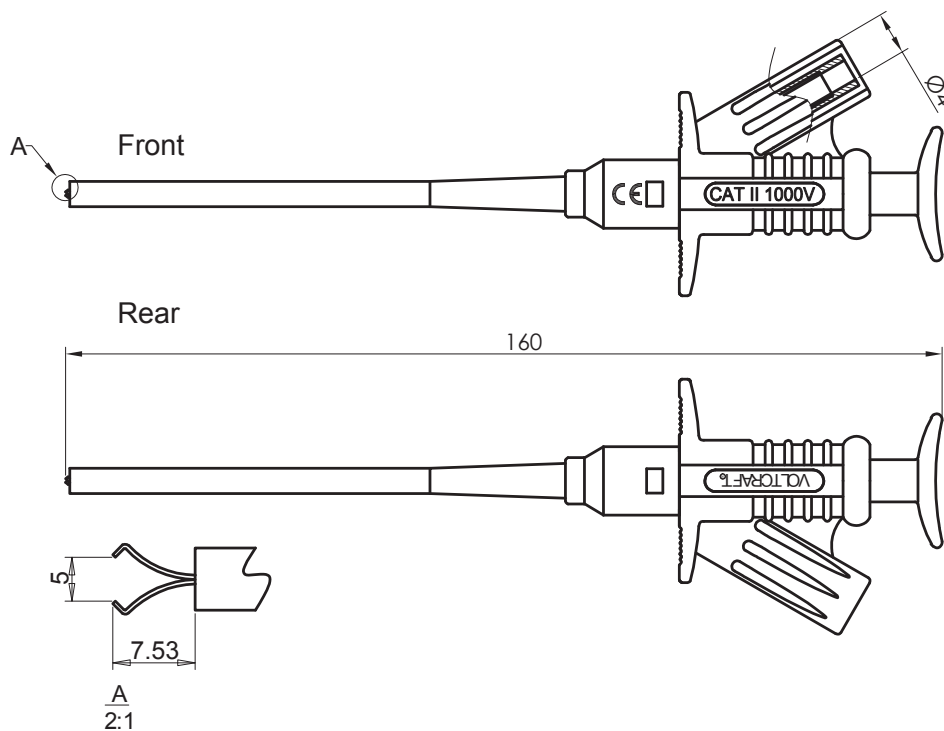


Datasheet

Test Probe Set

No. 108493 // Alligator Clip // Test Lead // Test Probe

Alligator Clip



(unit: mm)

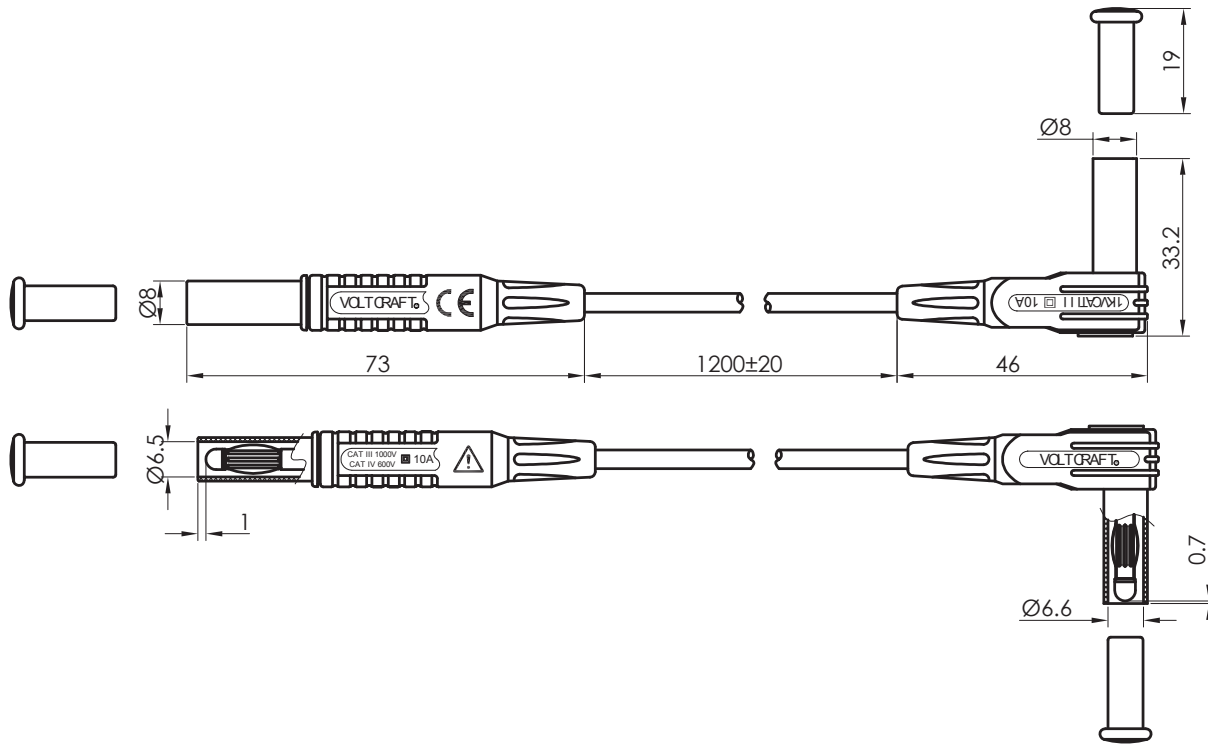
Technical data

Pin dimensions	4 mm
Clamping opening	5 mm
Type of contact	Spring-loaded pin
Rated voltage	CAT II 1000 V
Measurement category (acc. IEC61010).....	CAT II
Rated current.....	5 A

Material

Contact material	Contact pin: brass // Contact spring: copper beryllium
Contact surface material.....	Nickel
Housing material.....	PA and TPE
Available colours	Black // Red
Temperature range	-15 to +70 °C

Test Lead



(unit: mm)

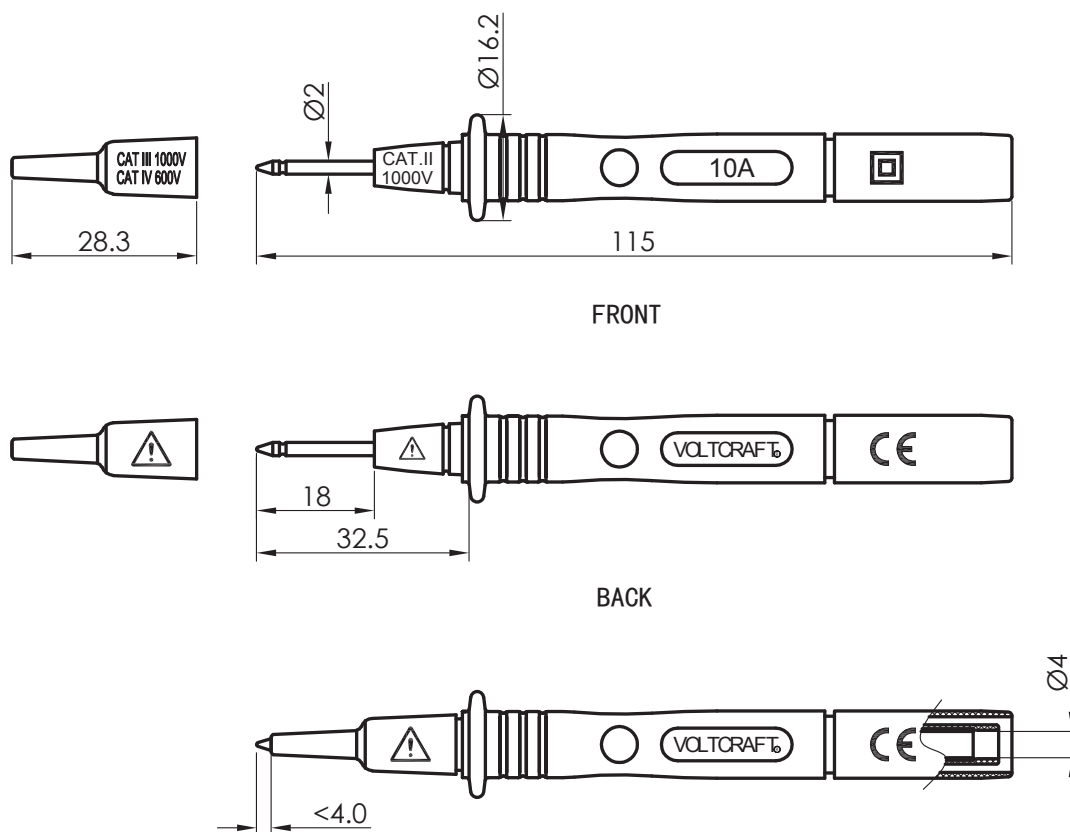
Technical data

Cable length	1.2 m
Conductor size.....	18 AWG
Pin dimensions	4 mm
Cable type	PVC
Cable specifications.....	Ø 3.6 mm, 0.82 mm ²
Rated voltage	CAT III 1000 V
Measurement category (acc. IEC61010).....	CAT III
Rated current.....	10 A

Material

Contact material	Contact pin: brass // Contact spring: copper-beryllium
Contact surface material.....	Nickel
Housing material.....	PVC
Cable material	PVC
Cable conductor material.....	Copper
Cable insulation layer	PVC
Available colours	Black // Red
Temperature range	-15 to +70 °C

Test Probe



(unit: mm)

Technical data

Pin dimensions	4 mm
Type of contact	Spring-loaded pin
Rated voltage	CAT III 1000 V
Measurement category (acc. IEC61010)	CAT III
Rated current	10 A

Material

Contact material	Contact pin: brass // Contact spring: copper-beryllium
Contact surface material	Nickel
Housing material	PVC and PP
Available colours	Black // Red
Temperature range	-15 to +70 °C

This is a publication by Conrad Electronic SE, Klaus-Conrad-Str. 1, D-92240 Hirschau (www.conrad.com). All rights including translation reserved. Reproduction by any method, e.g. photocopy, microfilming, or the capture in electronic data processing systems require the prior written approval by the editor. Reprinting, also in part, is prohibited. This publication represent the technical status at the time of printing.

© Copyright 2022 by Conrad Electronic SE.

108493_V2_1221_01_PIX_ds