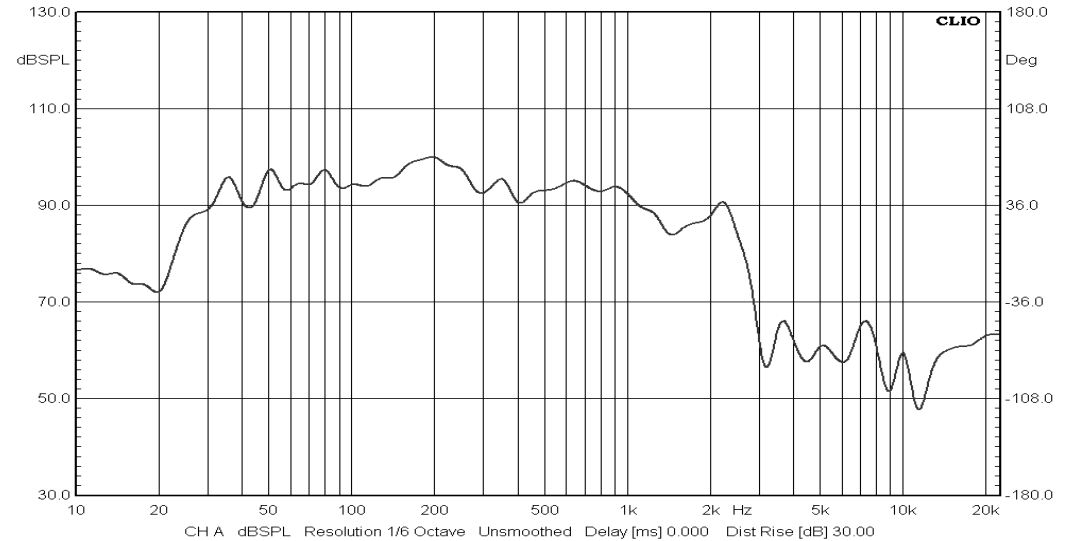
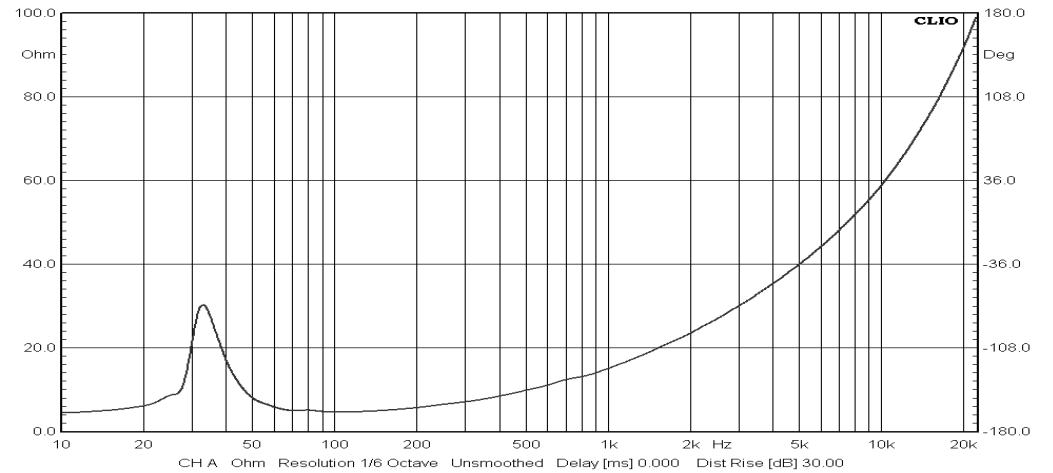
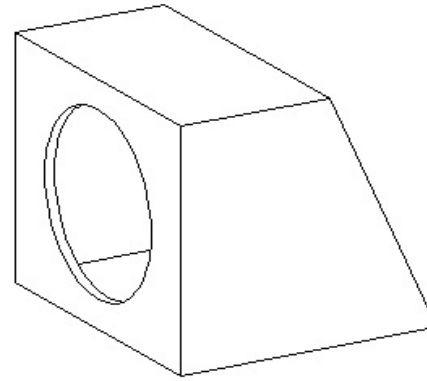
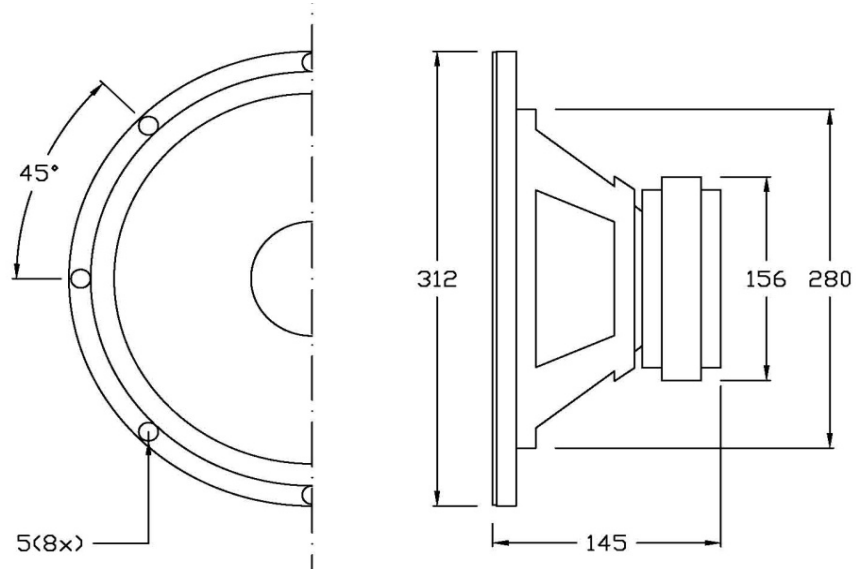


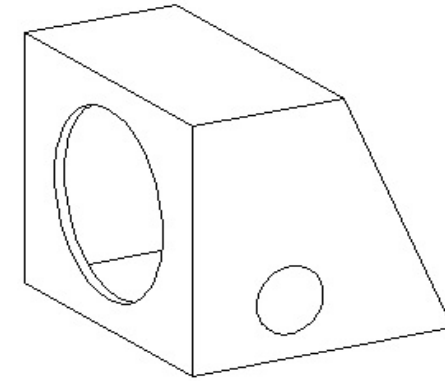
## SPEAKER SPECIFICATIONS

<b>Model Number:</b>	<b>B12123</b>	
<b>GENERAL SPECIFICATIONS</b>		
Nominal Diameter:	12 inch	
Rated Impedance:	4 ohms	
Operating Bandwidth:	35-2.5K Hz(-3dB)	
Power Handling Capacity:	200 Watts	
Sensitivity (1W/M):	92 dB(+/-3dB)	
Voice Coil Diameter:	2.0 inch	
<b>THIELE-SMALL PARAMETERS</b>		
Resonance Frequency	Fs:	32.9 HZ
DC Resistance	Re:	3.4ohm
Mechanical Q Factor	Qms:	4,2709
Electrical Q Factor	Qes:	0,4988
Total Q Factor	Qts:	0,4466
Equivalent Cas air load	Vas:	64.6 L
Surface Area of Cone	Sd:	0.0511 m2
Efficiency Bandwidth Product	EBP	66
Voice Coil Over Hang	X-max	6 mm
<b>PHYSICAL INFORMATION</b>		
Basket:	Chrome Steel	
Magnet Type:	50 OZ	
Cone Material:	Moulded Poly Cone	
Surround:	Rubber	
Dust Cap:	PP	
Damper:	cloth	





**Sealed Box**



**Vented Box**

Suggested enclosure parameters	Sealed		Vented	
	Small	Large	Small	Large
Enclosure volume,cu.ft.	1,2	NA	1,5	NA
Vent length,inches	-	-	6,0	-
Vent diameter,inches	-	-	4,0	-
Enclosure Frequency,Hz	55,4	-	-	-
Fb Tuning Frequency of Vented Enclosure,Hz	NA	-	50	-
F3 Systems 3dB Down Piont(Sealed),Hz	41	-	-	-