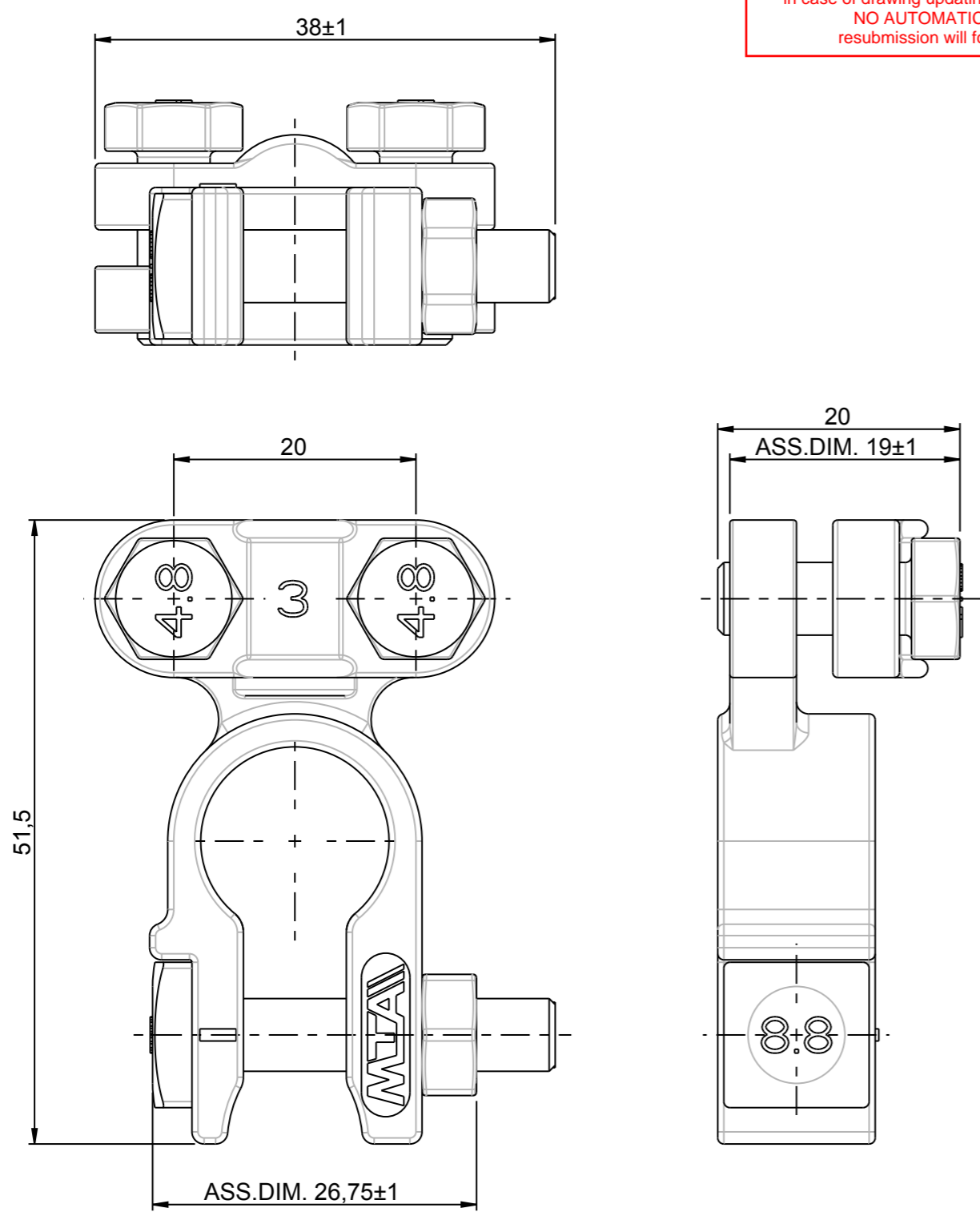
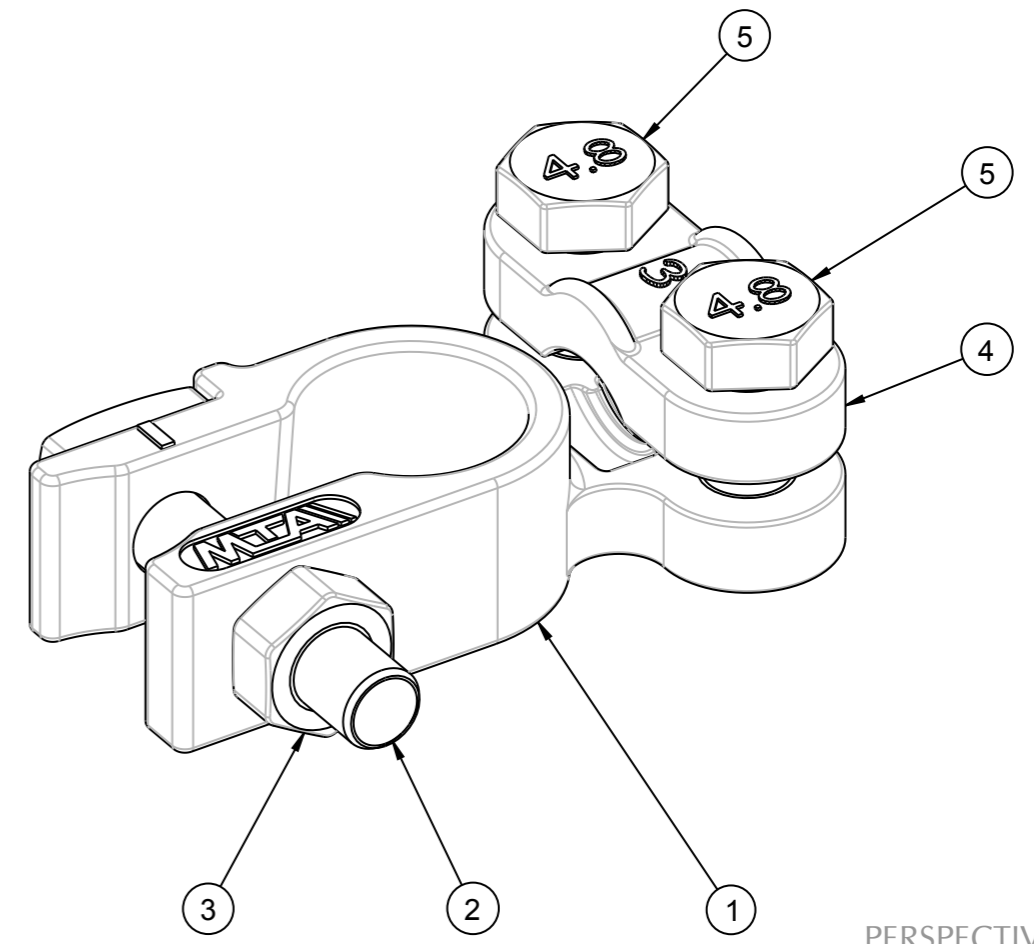


All proprietary rights reserved by MTA S.p.A. - This drawing shall not be reproduced, or in any way utilized, for the manufacture of the component or unit herein illustrated and must not be released to other parties, without written consent. Any infringement will be legally pursued.

UNCONTROLLED COPY
in case of drawing updating/revision
NO AUTOMATIC
resubmission will follow



OPERATING FEATURES		
FEATURE	UNIT	VALUE
T.MIN - T.MAX	°C	-40 / +120
RATED CURRENT	A	200
TIGHTENING TORQUE M6 Pos.3	Nm	3.6 ±20%
TIGHTENING TORQUE M6 Pos.5	Nm	3.6 ±20%



PERSPECTIVE VIEW
SCALE 2:1

POS.	Q.TY	DENOMINATION	MATERIAL
5	2	M6x16 SCREW	STEEL 4.8 CLASS Zn 7μ Cr6 FREE
4	1	CABLE LOCKER	CuZn DELTA C ALLOY
3	1	M6 NUT	STEEL 6S CLASS Zn 7μ Cr6 FREE
2	1	M6x30 SCREW	STEEL 8.8 CLASS Zn 7μ Cr6 FREE
1	1	BATTERY TERMINAL	CuZn DELTA C ALLOY

MTA ®	MTA P/N	1506280/10	Denom.	BATTERY TERMINAL DIE-CAST NEG		
	Draw No.	B0-249.101A	Used for	CABLES from 25 to 50 mm ²		
Rel. Level	Approved	Draw for	CLIENT	Relevant Standard	-	
	Date	Name	Scale	Weight(g)	Lin.Tol. ±	Ang.Tol. ±
Draft.	20.10.09	M.VIGNATI	1:1	77	0.5	2°
Chk	20.10.09	G.CINQUETTI	A3		Dimensions in (mm)	Sheet 1/1
PQApp	21.10.09	R.GONZALEZ				
App.	04.06.10	M.CORBANI	Coating	SEE TABLE		
			Color	SEE TABLE		

0	No.	Reason for Revision	Date	-	Name	-	0+
---	-----	---------------------	------	---	------	---	----