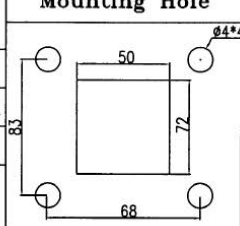
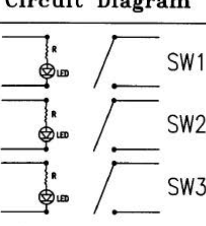


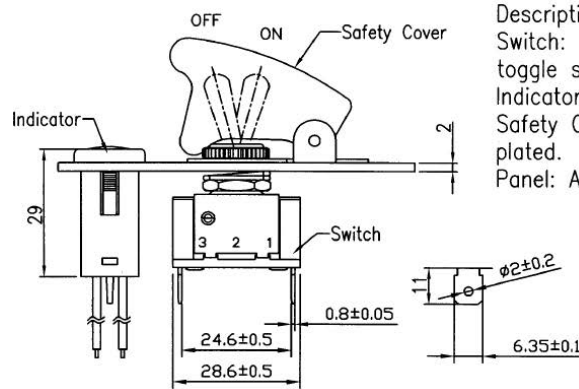
Datasheet

Item no. 1587938

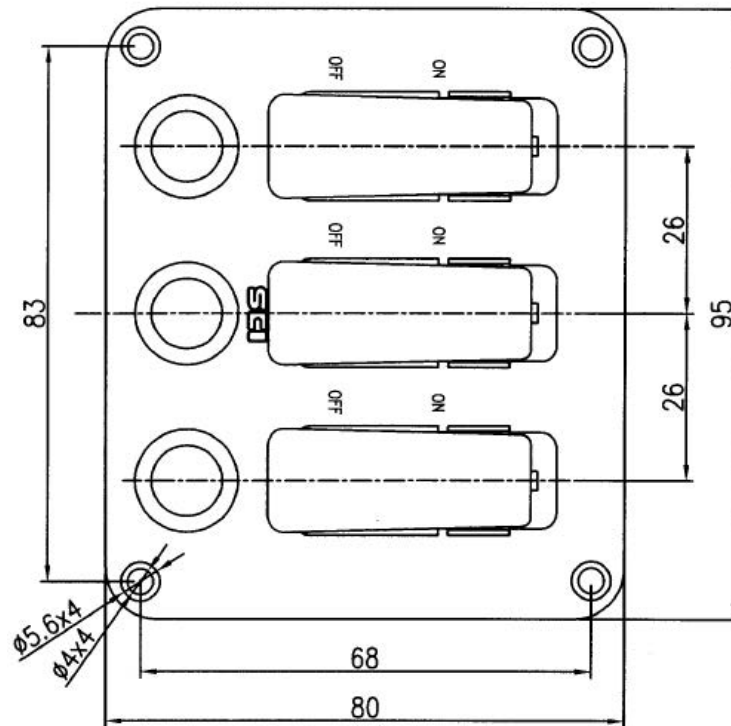
V1_0817_01_en

Control Panel Switch, Three switches

Rating	20A 12VDC, 10A 24VDC	Mounting Hole 	Circuit Diagram 
Contact Resistance	50m ohm Max		
Insulation Resistance	DC 500V 100M ohm Min		
Dielectric Strength	AC 1500V 1minute		



Descriptions:
 Switch: R13-5, 2P SPST ON-OFF toggle switch.
 Indicator: R9-100L, Red LED.
 Safety Cover: R17-10, Bright red plated.
 Panel: Aluminum, Hair-line finished.



Unit: mm

This is a publication by Conrad Electronic SE, Klaus-Conrad-Str. 1, D-92240 Hirschau (www.conrad.com).

All rights including translation reserved. Reproduction by any method, e.g. photocopy, microfilming, or the capture in electronic data processing systems require the prior written approval by the editor. Reprinting, also in part, is prohibited. This publication represents the technical status at the time of printing.

© Copyright 2017 by Conrad Electronic SE.