

INSTALLATION INSTRUCTIONS 2" ELECTRICAL GAUGES

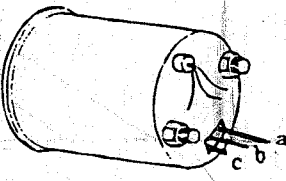
SMOKE GAUGE SERIES

(270° SCALE)

2" Oil Pressure Gauge

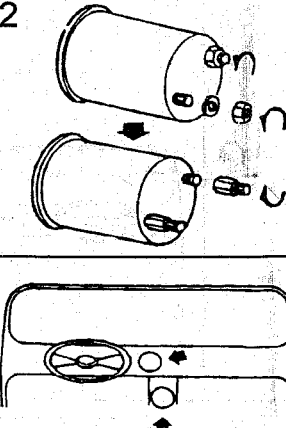
27027SWL

1

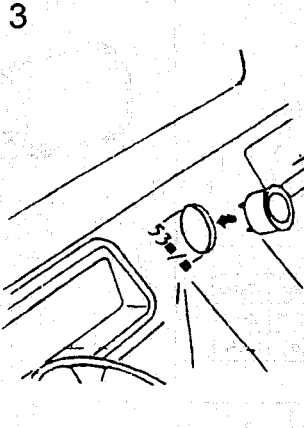


	CB	D	F	NL	S	E	I
a	black	schwarz	noir	zwart	svart	negro	nero
b	green	grün	vert	groen	grön	verde	verde
c	red	rot	rouge	rood	rod	rojo	rosso

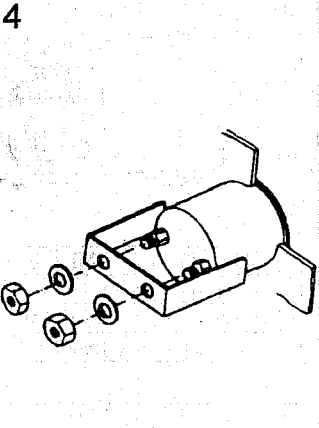
2



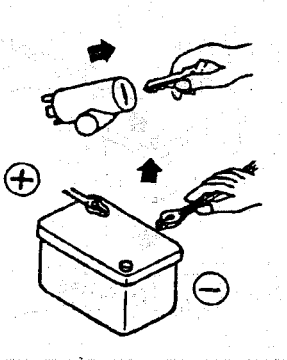
3



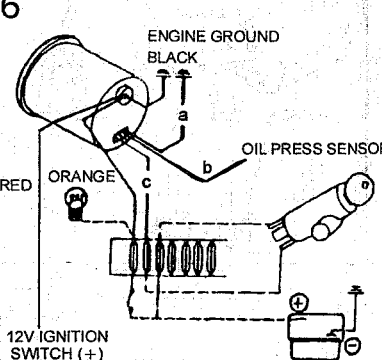
4



5



6



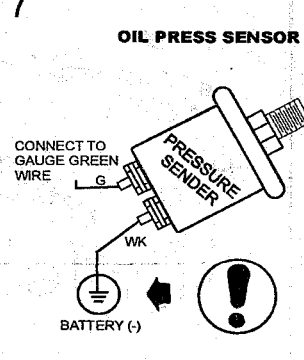
ENGINE GROUND
BLACK

RED ORANGE

OIL PRESS SENSOR

12V IGNITION SWITCH (+)

7



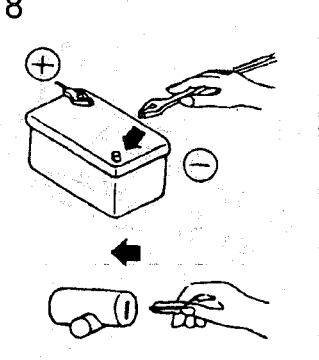
OIL PRESS SENSOR

CONNECT TO GAUGE GREEN WIRE

PRESSURE SENDER

BATTERY (-)

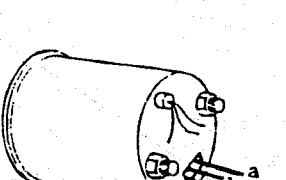
8



2" Oil / Water Temperature Gauge

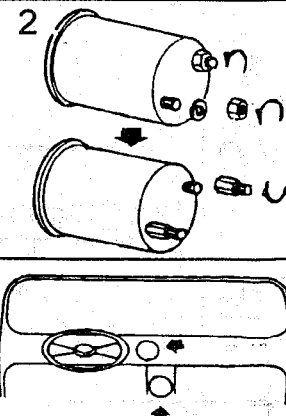
27047SWL
27037SWL

1

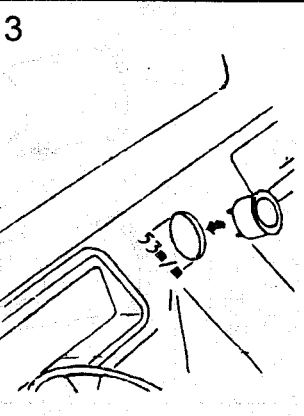


	CB	D	F	NL	S	E	I
a	black	schwarz	noir	zwart	svart	negro	nero
b	green	grün	vert	groen	grön	verde	verde
c	red	rot	rouge	rood	rod	rojo	rosso

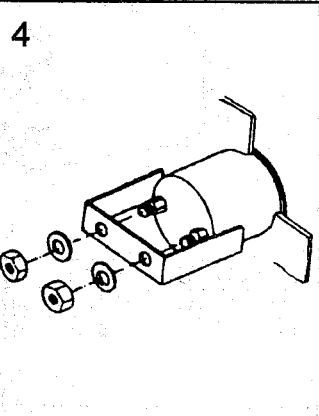
2



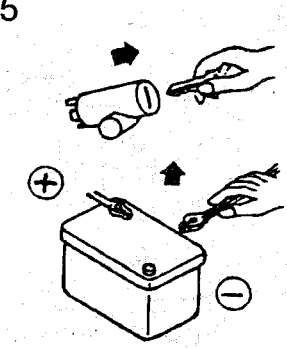
3



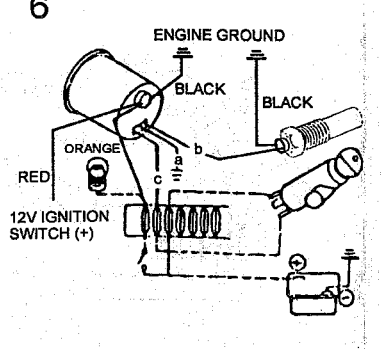
4



5



6

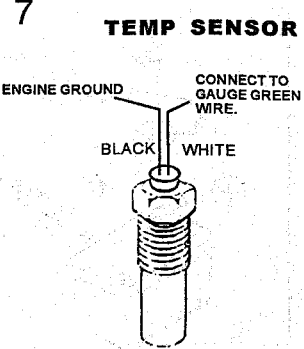


ENGINE GROUND
BLACK

RED ORANGE

12V IGNITION SWITCH (+)

7



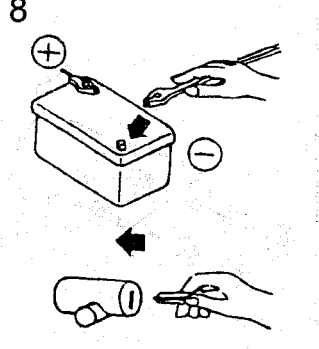
TEMP SENSOR

ENGINE GROUND

CONNECT TO GAUGE GREEN WIRE.

BLACK WHITE

8



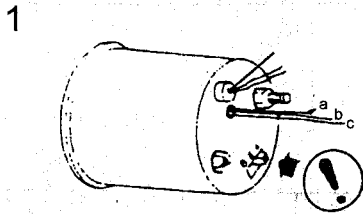
INSTALLATION INSTRUCTIONS

2" ELECTRICAL GAUGES SMOKE GAUGE SERIES

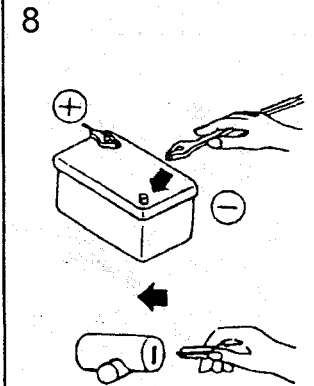
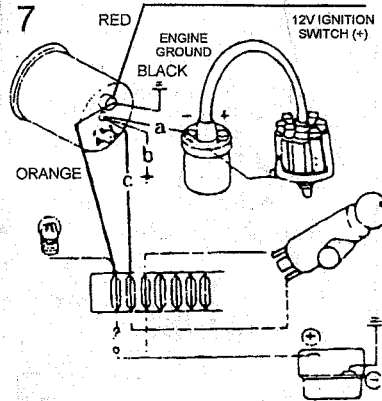
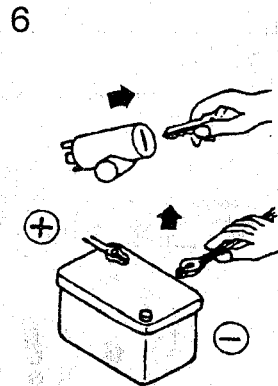
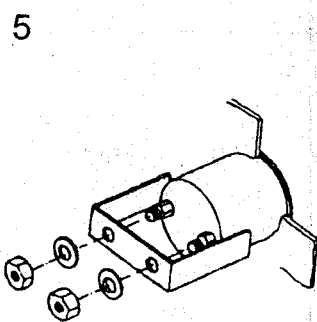
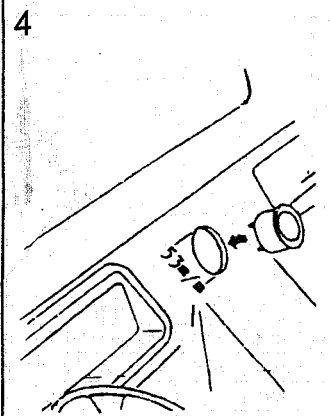
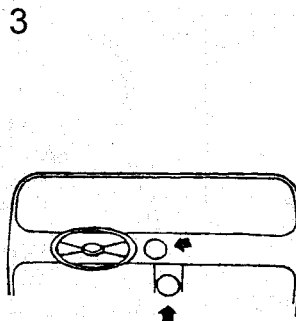
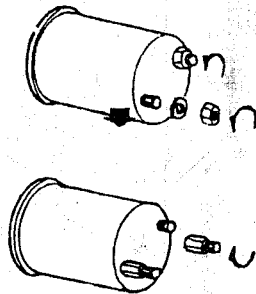
(270° SCALE)

2" Tachometer

60543SWL
270543SWL

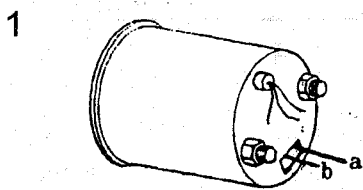


	CB	D	F	NL	S	E	I
a	green	grün	vert	groen	grön	verde	verde
b	black	schwarz	noir	zwart	svart	negro	nero
c	red	rot	rouge	rood	rod	rojo	rosso



2" Voltmeter

27091SWL



	CB	D	F	NL	S	E	I
a	black	schwarz	noir	zwart	svart	negro	nero
b	red	rot	rouge	rood	rod	rojo	rosso

