

## Inbouwconnector voorwand - CA-12P1N8A2S00 - 1619966

Please be informed that the data shown in this PDF Document is generated from our Online Catalog. Please find the complete data in the user's documentation. Our General Terms of Use for Downloads are valid (<http://download.phoenixcontact.com>)



Inbouwconnector voorwand, recht, afgeschermd: ja, SPEEDCON-vergrendeling, M23, aantal polen: 12, soort contact: stift, crimpaansluiting, vlakke afdichting, 4xØ3,2

### Key commercial data

|                  |               |
|------------------|---------------|
| package_quantity | 1             |
| GTIN             | 4046356820165 |

### classifications

#### eCl@ss

|            |          |
|------------|----------|
| eCl@ss 4.0 | 272607xx |
| eCl@ss 4.1 | 27260701 |
| eCl@ss 5.0 | 27143424 |
| eCl@ss 5.1 | 27143424 |
| eCl@ss 6.0 | 27143424 |
| eCl@ss 7.0 | 27440209 |
| eCl@ss 8.0 | 27440209 |

#### ETIM

|          |          |
|----------|----------|
| ETIM 3.0 | EC001121 |
| ETIM 4.0 | EC002635 |
| ETIM 5.0 | EC002635 |

#### UNSPSC

|               |          |
|---------------|----------|
| UNSPSC 6.01   | 43172015 |
| UNSPSC 7.0901 | 43201404 |
| UNSPSC 11     | 43172015 |
| UNSPSC 12.01  | 43201404 |
| UNSPSC 13.2   | 43201404 |

### accessories

#### Beschermkappen

## Inbouwconnector voorwand - CA-12P1N8A2S00 - 1619966

### accessories

SF-Z0019 - 1607449



RC-Z2059 - 1604225



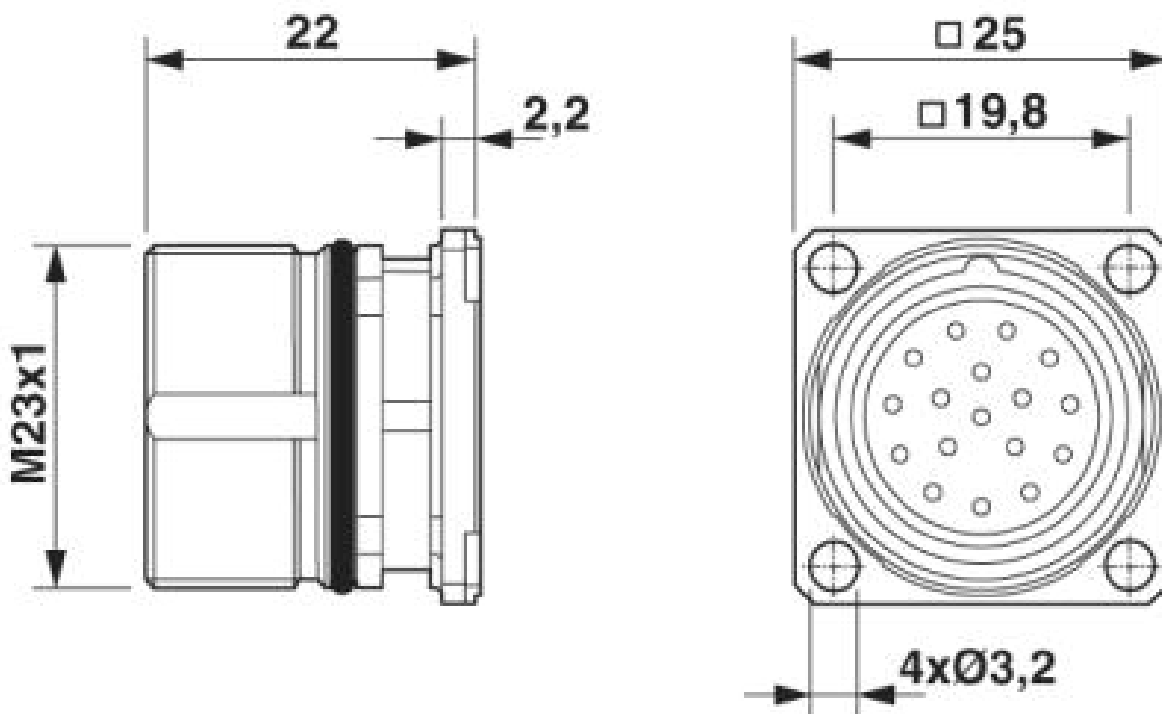
RC-Z2469 - 1611797



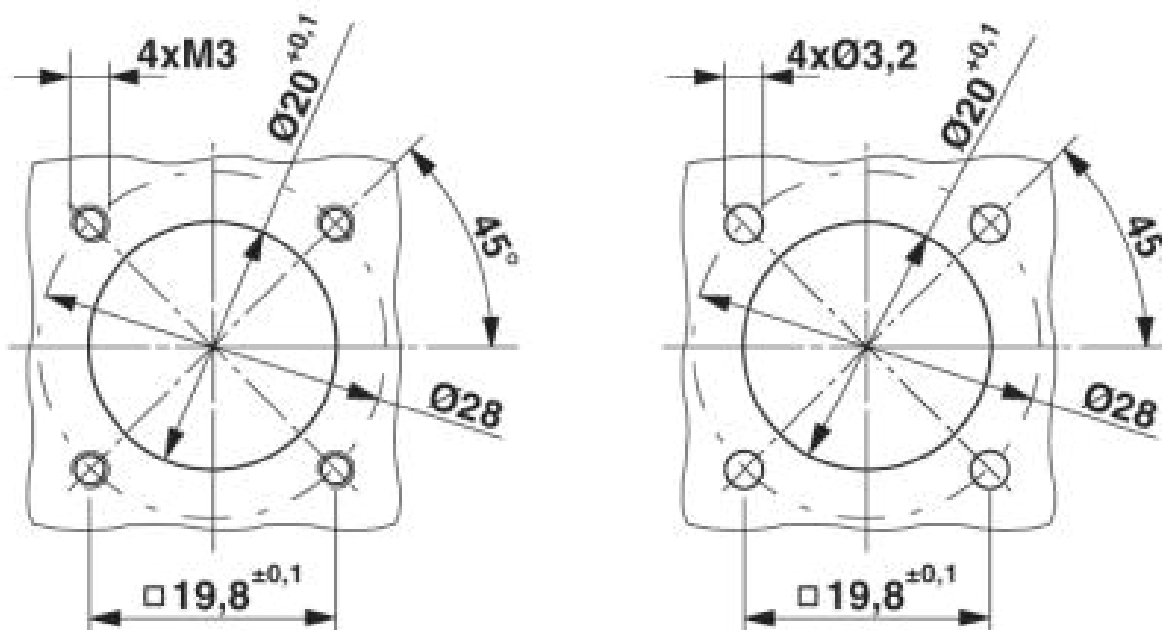
### Drawings

# Inbouwconnector voorwand - CA-12P1N8A2S00 - 1619966

Maatschets



Maatschets



inbouwmaten:

# Inbouwconnector voorwand - CA-12P1N8A2S00 - 1619966

schematekening

