

Auxiliary conductor connection 0.25 - 1 mm², for size NH2, NH3 with box terminal, accessory for fuse switch disconnecter 3NP1 Contains 3 connections



Versie

| | |
|----------------------------|---|
| productmerknaam | SENTRON |
| uitvoering van het product | toebehoren voor mespatroonlastscheider 3NP1 |

Certificaten

General Product Approval

[Miscellaneous](#)

Declaration of Conformity



EG-Konf.

Verdere informatie

Information- and Downloadcenter (Catalogs, Brochures,...)

<http://www.siemens.com/lowvoltage/catalogs>

Industry Mall (Online ordering system)

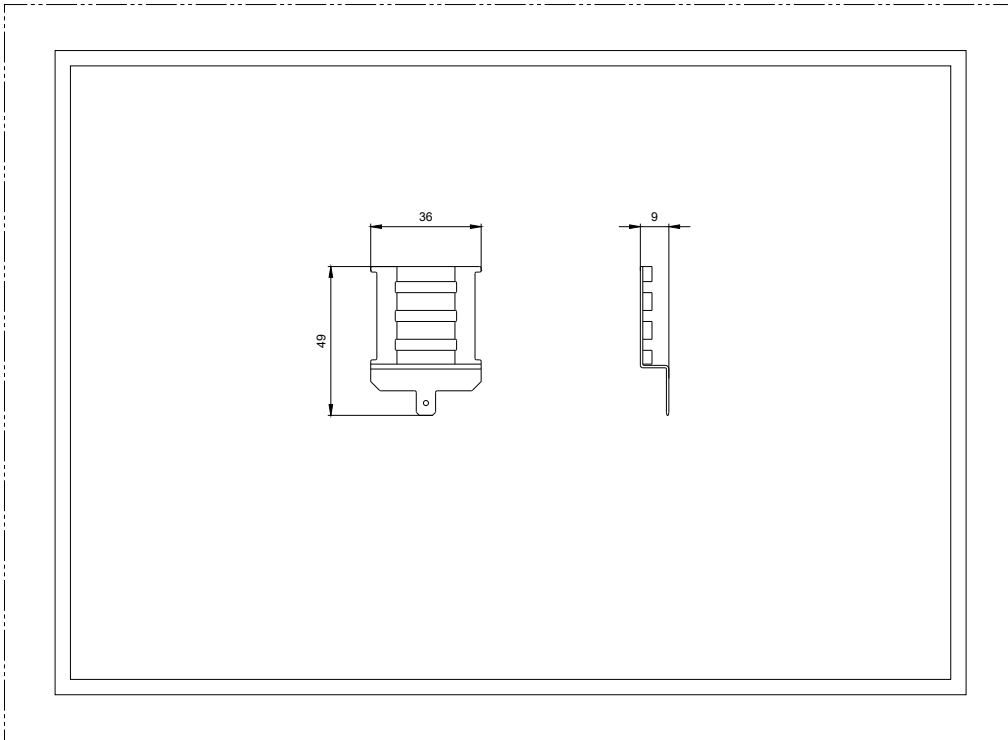
<https://mall.industry.siemens.com/mall/nl/nl/Catalog/product?mlfb=3NP1953-1BG40>

Service&Support (Manuals, Certificates, Characteristics, FAQs,...)

<https://support.industry.siemens.com/cs/ww/nl/ps/3NP1953-1BG40>

Image database (product images, 2D dimension drawings, 3D models, device circuit diagrams, ...)

http://www.automation.siemens.com/bilddb/cax_en.aspx?mlfb=3NP1953-1BG40





-CB

