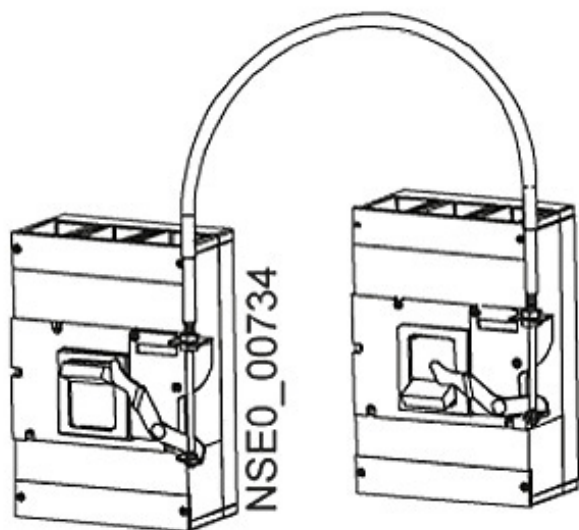


accessory for VL160X-VL1600, Bowden cable, 1.5m, for mechanical interlock



Versie

productmerklemaam

SETRON

Accessoires

toebahren

Toebahren voor VL160X, VL160, VL250, VL400, VL630, VL800, VL1250, VL1600

nettogewicht

0,65 kg

Certificaten

General Product Approval	EMC	Declaration of Conformity	Test Certificates	Shipping Approval
--------------------------	-----	---------------------------	-------------------	-------------------

[Miscellaneous](#)



C-Tick



EG-Konf.

[Special Test Certificate](#)



PRS



RINA

Shipping Approval	other
-------------------	-------



RMRS

[Confirmation](#)

[Environmental Confirmations](#)

[Miscellaneous](#)

[Manufacturer Declaration](#)

Verdere informatie

Information- and Downloadcenter (Catalogs, Brochures,...)

<http://www.siemens.com/lowvoltage/catalogs>

Industry Mall (Online ordering system)

<https://mall.industry.siemens.com/mall/nl/nl/Catalog/product?mlfb=3VL9000-8LH30>

Service&Support (Manuals, Certificates, Characteristics, FAQs,...)

<https://support.industry.siemens.com/cs/ww/nl/ps/3VL9000-8LH30>

Image database (product images, 2D dimension drawings, 3D models, device circuit diagrams, ...)

http://www.automation.siemens.com/bilddb/cax_en.aspx?mlfb=3VL9000-8LH30

CAX-Online-Generator

<http://www.siemens.com/cax>

Tender specifications

<http://www.siemens.com/specifications>