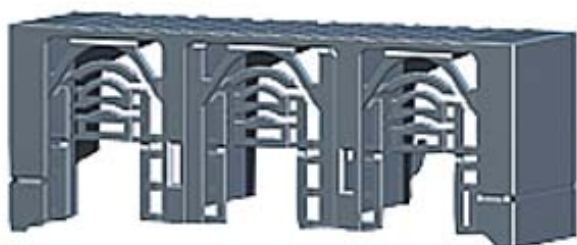


Cable connection cover, cover, accessory for fuse switch  
disconnecter 3NP1



## Versie

productmerksnaam	SENTRON
uitvoering van het product	toebehoren voor mespatroonlastscheider 3NP1

## Accessoires

toebehoren	afdekking
------------	-----------

## Certificaten

**General Product Approval**

[Miscellaneous](#)

**Declaration of Conformity**



## Verdere informatie

**Information- and Downloadcenter (Catalogs, Brochures,...)**

<http://www.siemens.com/lowvoltage/catalogs>

**Industry Mall (Online ordering system)**

<https://mall.industry.siemens.com/mall/nl/nl/Catalog/product?mlfb=3NP1953-1CB00>

**Service&Support (Manuals, Certificates, Characteristics, FAQs,...)**

<https://support.industry.siemens.com/cs/ww/nl/ps/3NP1953-1CB00>

**Image database (product images, 2D dimension drawings, 3D models, device circuit diagrams, ...)**

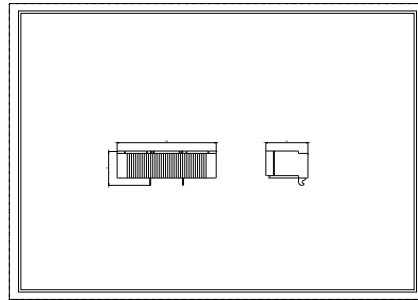
[http://www.automation.siemens.com/bilddb/cax\\_en.aspx?mlfb=3NP1953-1CB00](http://www.automation.siemens.com/bilddb/cax_en.aspx?mlfb=3NP1953-1CB00)

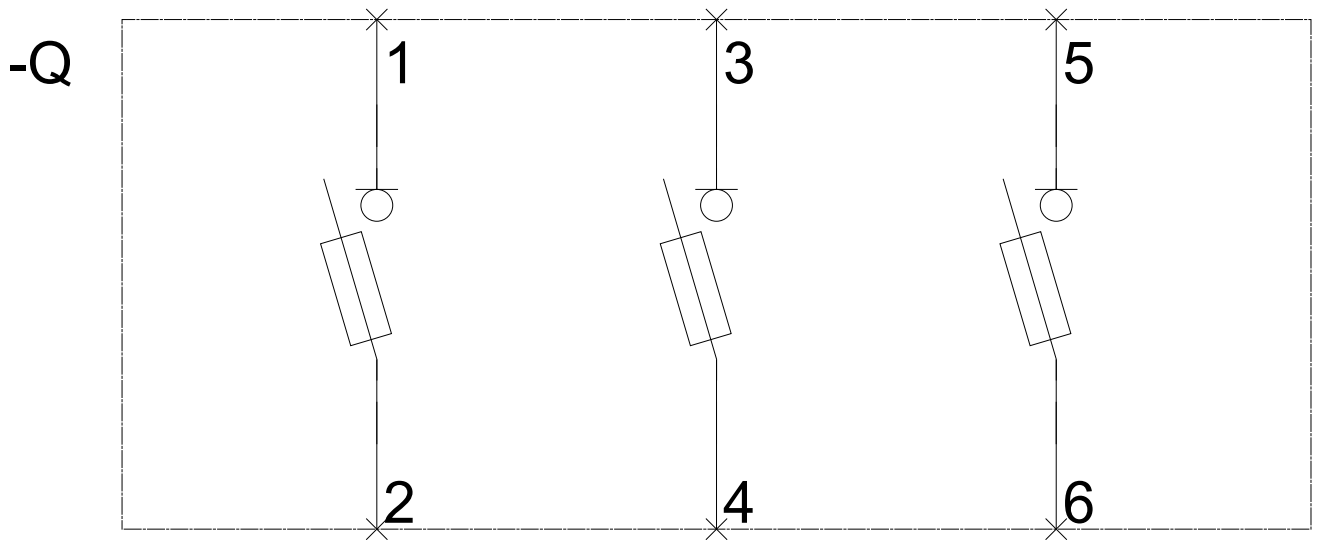
**CAX-Online-Generator**

<http://www.siemens.com/cax>

**Tender specifications**

<http://www.siemens.com/specifications>





**-CB**

