

Cable connection cover with reach-around protection, for size NH2,  
Accessory for fuse Switch disconnecter 3NP1



## Versie

productmerknaam	SETRON
uitvoering van het product	toebehoren voor mespatroonlastscheider 3NP1

## Certificaten

General Product Approval

Declaration of Conformity

[Miscellaneous](#)



EG-Konf.

## Verdere informatie

**Information- and Downloadcenter (Catalogs, Brochures,...)**

<http://www.siemens.com/lowvoltage/catalogs>

**Industry Mall (Online ordering system)**

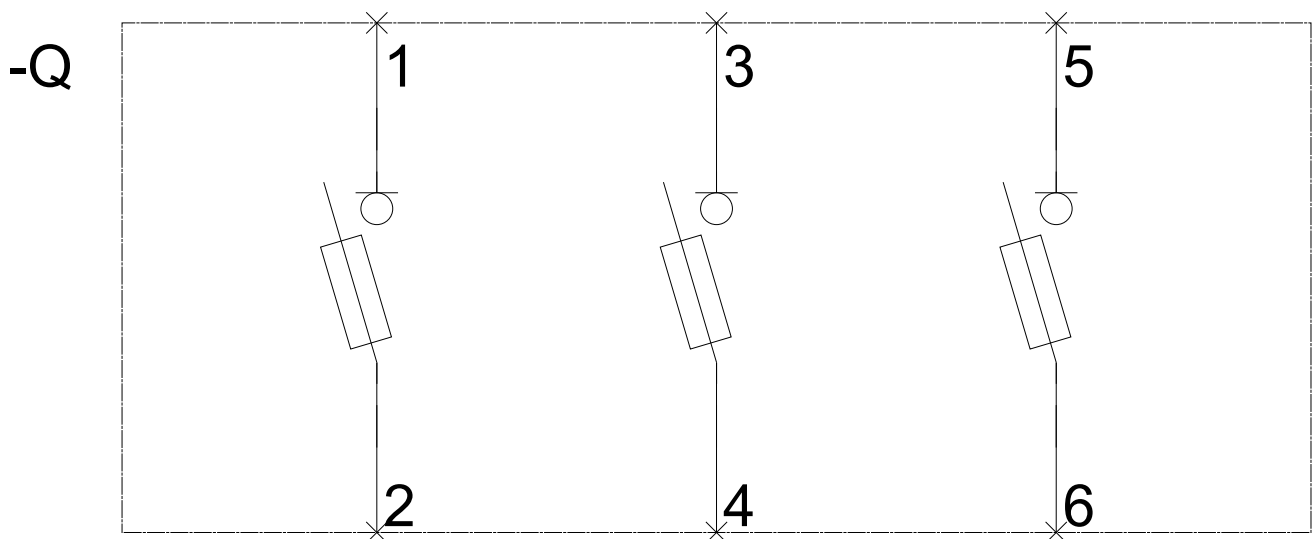
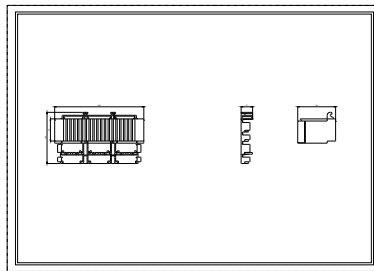
<https://mall.industry.siemens.com/mall/nl/nl/Catalog/product?mlfb=3NP1953-1CD00>

**Service&Support (Manuals, Certificates, Characteristics, FAQs,...)**

<https://support.industry.siemens.com/cs/ww/nl/ps/3NP1953-1CD00>

**Image database (product images, 2D dimension drawings, 3D models, device circuit diagrams, ...)**

[http://www.automation.siemens.com/bilddb/cax\\_en.aspx?mlfb=3NP1953-1CD00](http://www.automation.siemens.com/bilddb/cax_en.aspx?mlfb=3NP1953-1CD00)



**-CB**

