

Supply terminal 16 - 95 mm<sup>2</sup>, for size NH000 with Box terminal, accessory for fuse switch disconnecter 3NP1 Contains 3 terminals



### Versie

productmerknaam	SENTRON
uitvoering van het product	toebehoren voor mespatroonlastscheider 3NP1

### Certificaten

General Product Approval

Declaration of Conformity

[Miscellaneous](#)



EG-Konf.

### Verdere informatie

**Information- and Downloadcenter (Catalogs, Brochures,...)**

<http://www.siemens.com/lowvoltage/catalogs>

**Industry Mall (Online ordering system)**

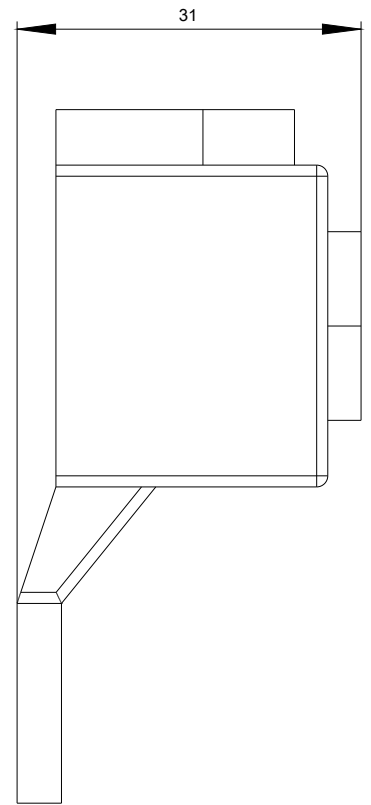
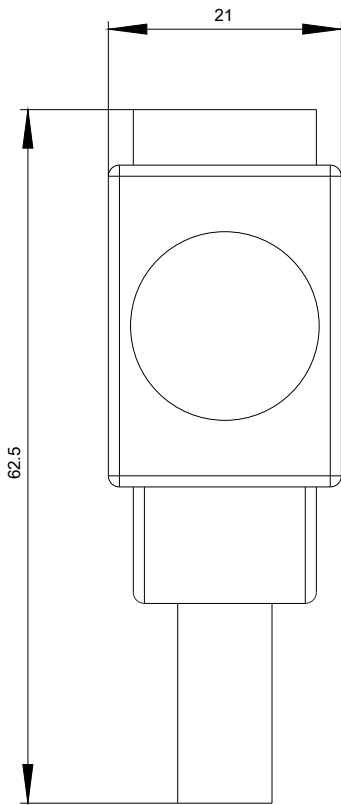
<https://mall.industry.siemens.com/mall/nl/nl/Catalog/product?mlfb=3NP1923-1BD00>

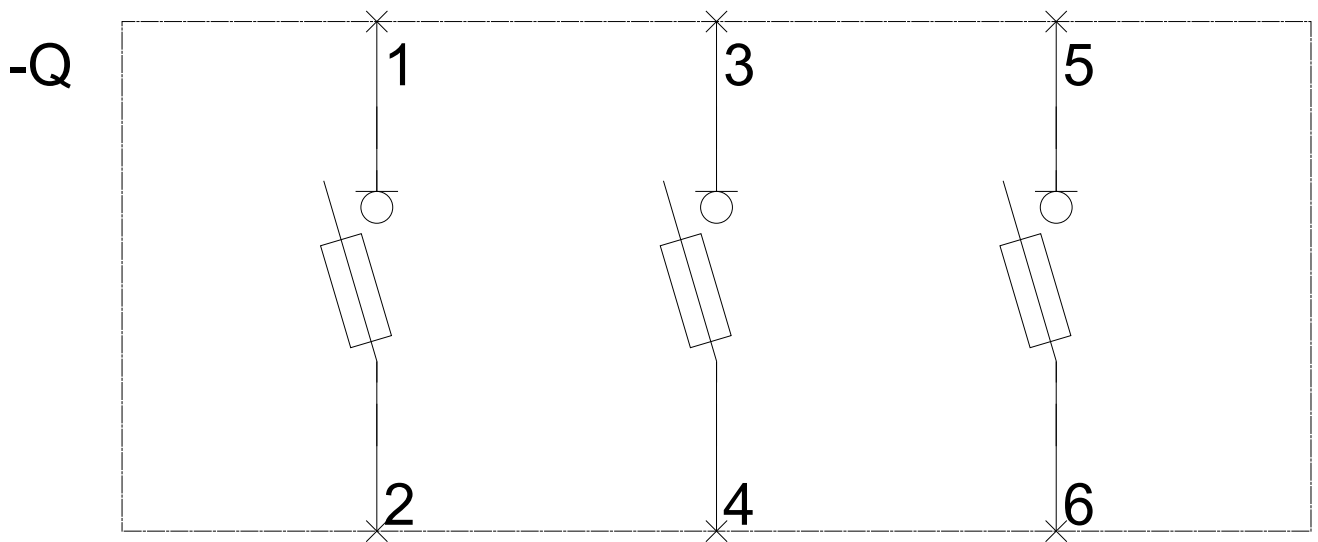
**Service&Support (Manuals, Certificates, Characteristics, FAQs,...)**

<https://support.industry.siemens.com/cs/ww/nl/ps/3NP1923-1BD00>

**Image database (product images, 2D dimension drawings, 3D models, device circuit diagrams, ...)**

[http://www.automation.siemens.com/bilddb/cax\\_en.aspx?mlfb=3NP1923-1BD00](http://www.automation.siemens.com/bilddb/cax_en.aspx?mlfb=3NP1923-1BD00)





**-CB**

