

Handle unit with EFM20, for Size NH000, accessory for fuse switch disconnecter 3NP1



## Versie

productmerknaam	SENTRON
uitvoering van het product	toebehoren voor mespatroonlastscheider 3NP1

## Certificaten

General Product Approval

Declaration of Conformity

[Miscellaneous](#)



EG-Konf.

## Verdere informatie

**Information- and Downloadcenter (Catalogs, Brochures,...)**

<http://www.siemens.com/lowvoltage/catalogs>

**Industry Mall (Online ordering system)**

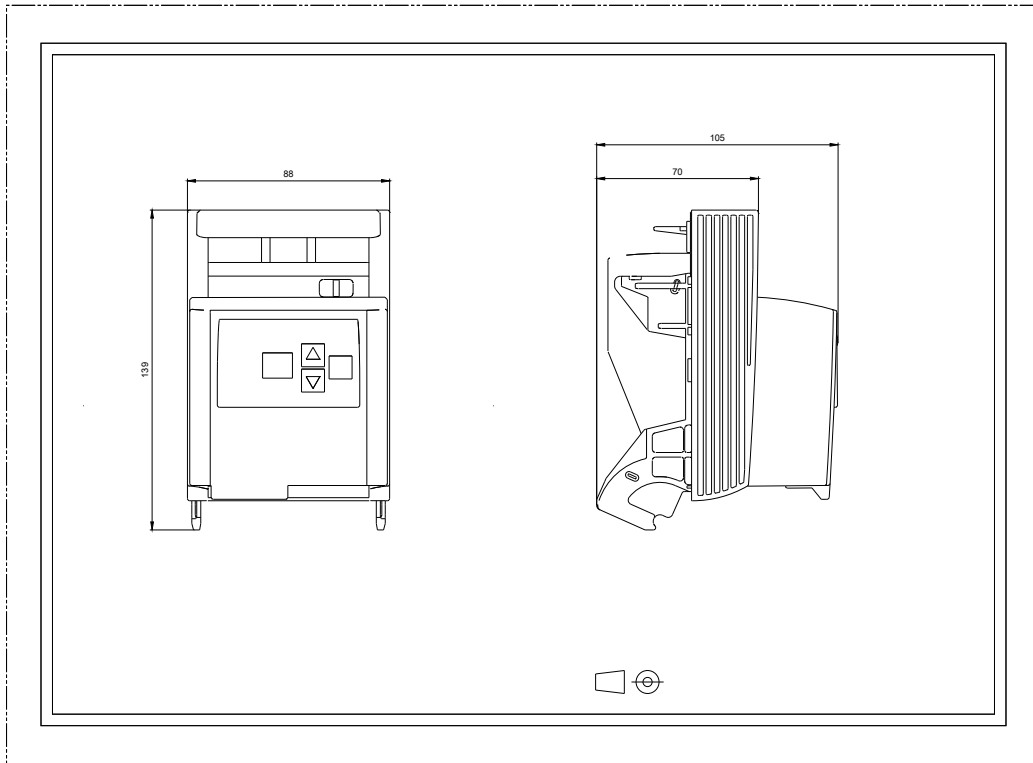
<https://mall.industry.siemens.com/mall/nl/nl/Catalog/product?mlfb=3NP1923-1GB30>

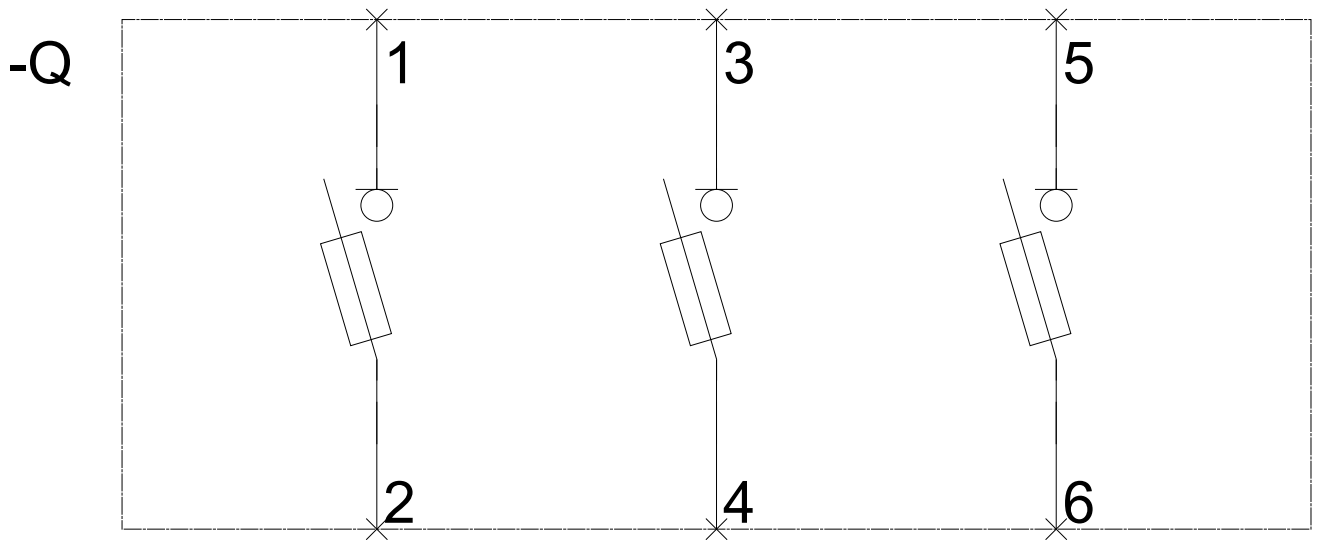
**Service&Support (Manuals, Certificates, Characteristics, FAQs,...)**

<https://support.industry.siemens.com/cs/ww/nl/ps/3NP1923-1GB30>

**Image database (product images, 2D dimension drawings, 3D models, device circuit diagrams, ...)**

[http://www.automation.siemens.com/bilddb/cax\\_en.aspx?mlfb=3NP1923-1GB30](http://www.automation.siemens.com/bilddb/cax_en.aspx?mlfb=3NP1923-1GB30)





**-CB**

