

Connection block, with box terminal 6 - 70 mm², for Size NH00, 32 mm Cover level with screw terminal, accessory for fuse switch disconnecter 3NP1



Versie

productmerknaam	SENTRON
uitvoering van het product	toebehoren voor mespatroonlastscheider 3NP1

Certificaten

General Product Approval

Declaration of Conformity

[Miscellaneous](#)



EG-Konf.

Verdere informatie

Information- and Downloadcenter (Catalogs, Brochures,...)

<http://www.siemens.com/lowvoltage/catalogs>

Industry Mall (Online ordering system)

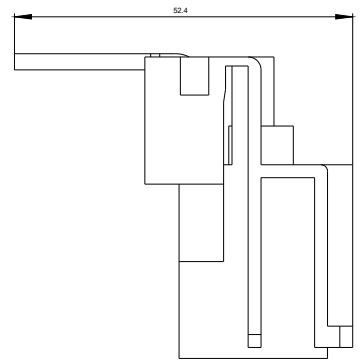
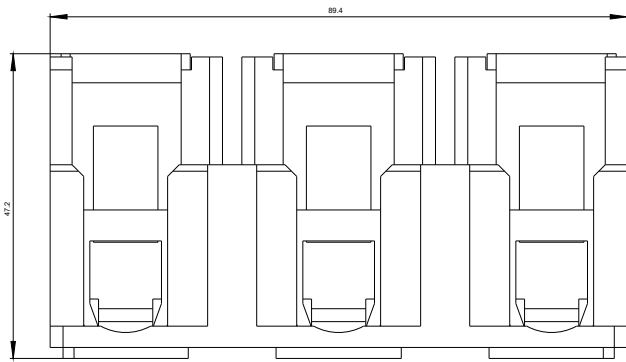
<https://mall.industry.siemens.com/mall/nl/nl/Catalog/product?mlfb=3NP1933-1BC00>

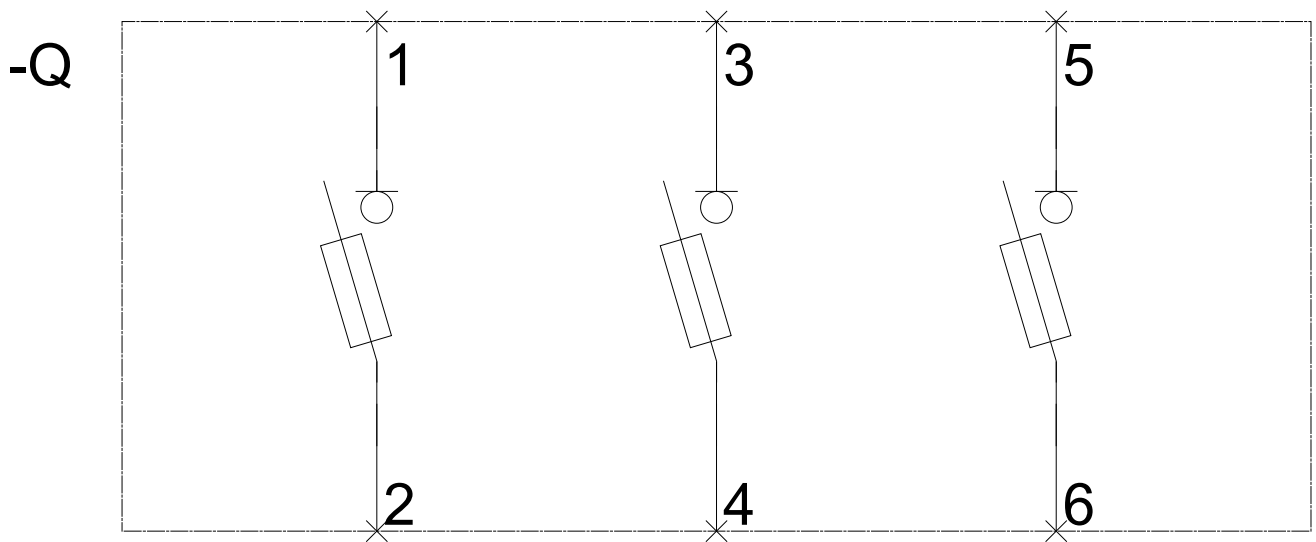
Service&Support (Manuals, Certificates, Characteristics, FAQs,...)

<https://support.industry.siemens.com/cs/ww/nl/ps/3NP1933-1BC00>

Image database (product images, 2D dimension drawings, 3D models, device circuit diagrams, ...)

http://www.automation.siemens.com/bilddb/cax_en.aspx?mlfb=3NP1933-1BC00





-CB



