

Handle unit with EFM20, for Size NH00, accessory for fuse switch disconnector 3NP1



Versie

productmerknaam	SENTRON
uitvoering van het product	toebehoren voor mespatroonlastscheider 3NP1

Certificaten

General Product Approval	Declaration of Conformity	Test Certificates
--------------------------	---------------------------	-------------------

[Miscellaneous](#)

[Type Test Certificates/Test Report](#)



EG-Konf.

Verdere informatie

Information- and Downloadcenter (Catalogs, Brochures,...)

<http://www.siemens.com/lowvoltage/catalogs>

Industry Mall (Online ordering system)

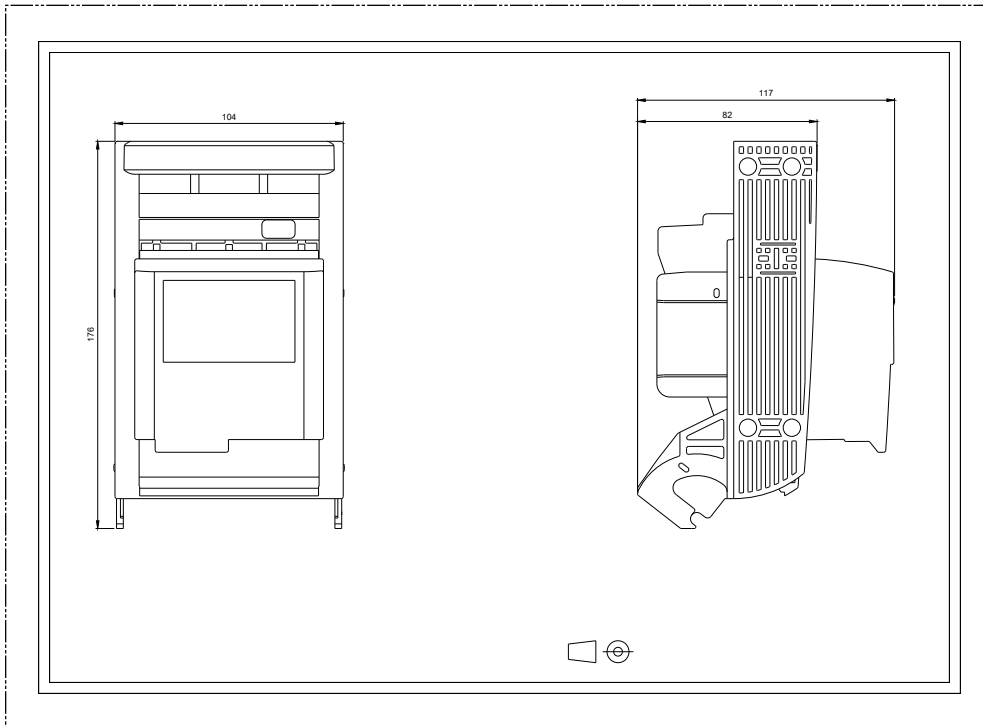
<https://mall.industry.siemens.com/mall/nl/nl/Catalog/product?mfb=3NP1933-1GB30>

Service&Support (Manuals, Certificates, Characteristics, FAQs,...)

<https://support.industry.siemens.com/cs/ww/nl/ps/3NP1933-1GB30>

Image database (product images, 2D dimension drawings, 3D models, device circuit diagrams, ...)

http://www.automation.siemens.com/bilddb/cax_en.aspx?mfb=3NP1933-1GB30





-CB

