

Handle unit with EFM25, for Size NH00, accessory for fuse switch disconnector 3NP1



Versie	
productmerksnaam	SETRON
uitvoering van het product	toebehoren voor mespatroonlastscheider 3NP1

Certificaten		
General Product Approval	Declaration of Conformity	Test Certificates

[Miscellaneous](#)

[Type Test Certificates/Test Report](#)



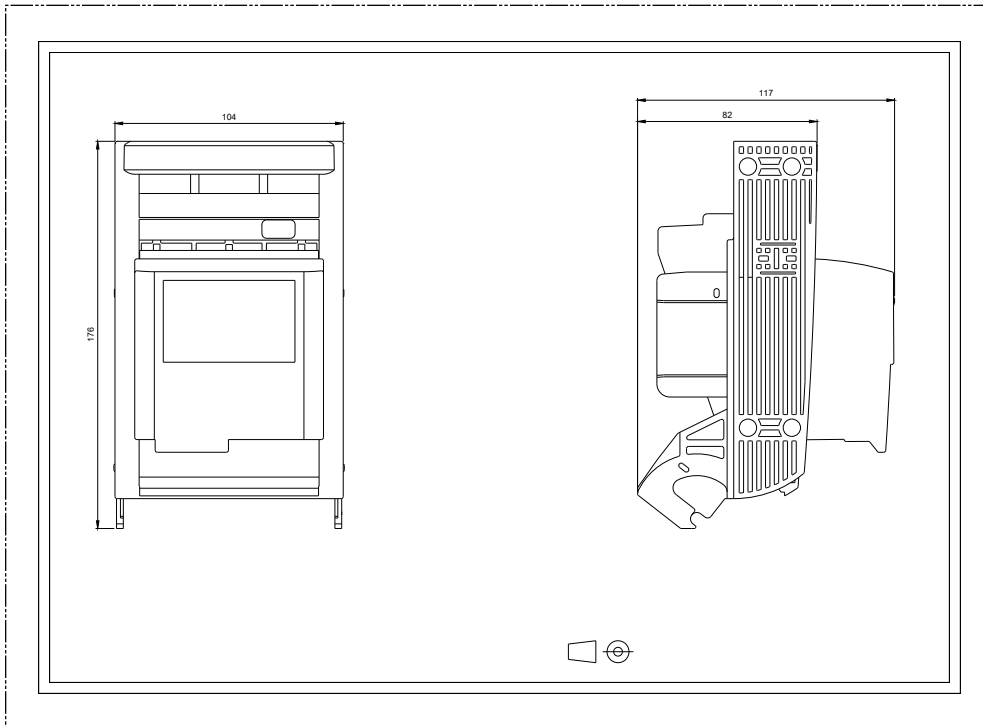
Verdere informatie

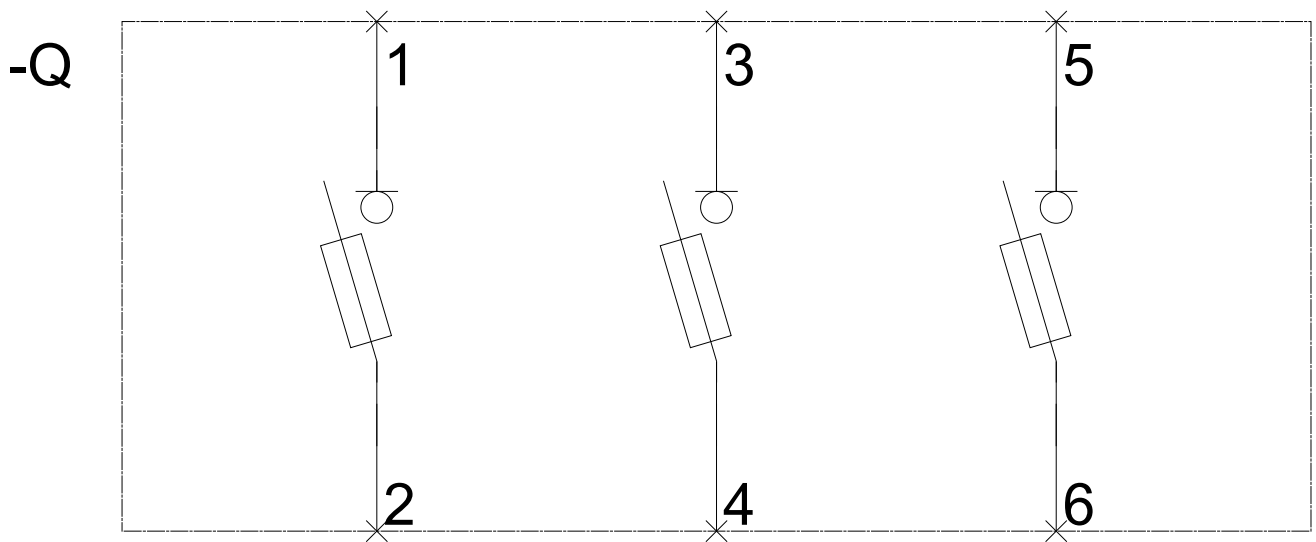
Information- and Downloadcenter (Catalogs, Brochures,...)
<http://www.siemens.com/lowvoltage/catalogs>

Industry Mall (Online ordering system)
<https://mall.industry.siemens.com/mall/nl/nl/Catalog/product?mfb=3NP1933-1GB50>

Service&Support (Manuals, Certificates, Characteristics, FAQs,...)
<https://support.industry.siemens.com/cs/ww/nl/ps/3NP1933-1GB50>

Image database (product images, 2D dimension drawings, 3D models, device circuit diagrams, ...)
http://www.automation.siemens.com/bilddb/cax_en.aspx?mfb=3NP1933-1GB50





-CB

