

Handle unit with MFM, for Size NH1, accessory for fuse switch disconnecter 3NP1



Versie	
productmerknaam	SENTRON
uitvoering van het product	toebehoren voor mespatroonlastscheider 3NP1

Certificaten		
General Product Approval	Declaration of Conformity	Test Certificates

[Miscellaneous](#)

[Type Test Certificates/Test Report](#)



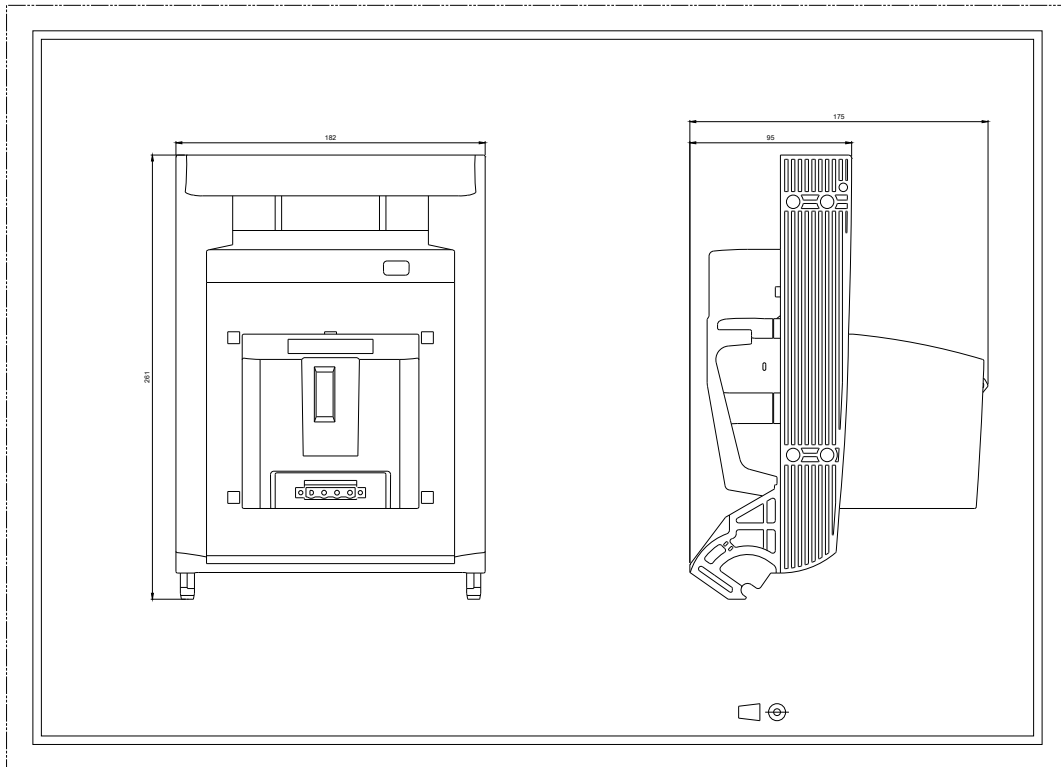
Verdere informatie

Information- and Downloadcenter (Catalogs, Brochures,...)
<http://www.siemens.com/lowvoltage/catalogs>

Industry Mall (Online ordering system)
<https://mall.industry.siemens.com/mall/nl/nl/Catalog/product?mfb=3NP1943-1GB10>

Service&Support (Manuals, Certificates, Characteristics, FAQs,...)
<https://support.industry.siemens.com/cs/ww/nl/ps/3NP1943-1GB10>

Image database (product images, 2D dimension drawings, 3D models, device circuit diagrams, ...)
http://www.automation.siemens.com/bilddb/cax_en.aspx?mfb=3NP1943-1GB10





-CB

