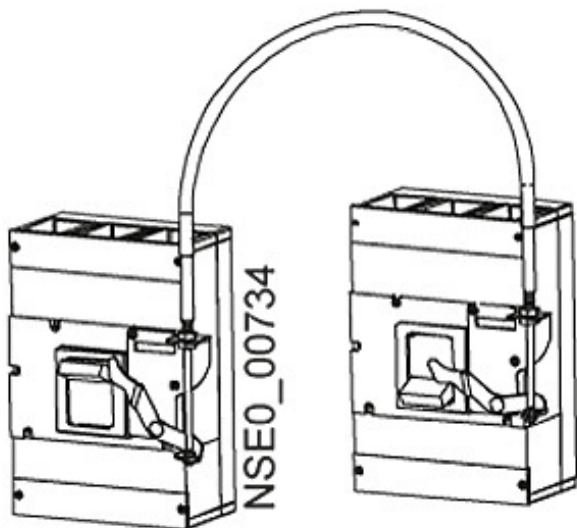


accessory for VL160X-VL1600, Bowden cable, 1.5m, for mechanical interlock



## Wersja

Nazwa markowa produktu

SETRON

## Akcesoria

akcesoria

Wyposażenie dodatkowe do VL160X, VL160, VL250, VL400, VL630, VL800, VL1250, VL1600

masa netto

0,65 kg

## Certyfikaty

General Product Approval	EMC	Declaration of Conformity	Test Certificates	Shipping Approval
--------------------------	-----	---------------------------	-------------------	-------------------

[Miscellaneous](#)



C-Tick



EG-Konf.

[Special Test Certificate](#)



PRS



RINA

Shipping Approval	other
-------------------	-------



RMRS

[Confirmation](#)

[Environmental Confirmations](#)

[Miscellaneous](#)

[Manufacturer Declaration](#)

## Więcej informacji

### Information- and Downloadcenter (Catalogs, Brochures,...)

<http://www.siemens.com/lowvoltage/catalogs>

### Industry Mall (Online ordering system)

<https://mall.industry.siemens.com/mall/en/en/Catalog/product?mlfb=3VL9000-8LH30>

### Service&Support (Manuals, Certificates, Characteristics, FAQs,...)

<https://support.industry.siemens.com/cs/ww/pl/ps/3VL9000-8LH30>

### Image database (product images, 2D dimension drawings, 3D models, device circuit diagrams, ...)

[http://www.automation.siemens.com/bilddb/cax\\_en.aspx?mlfb=3VL9000-8LH30](http://www.automation.siemens.com/bilddb/cax_en.aspx?mlfb=3VL9000-8LH30)

### CAX-Online-Generator

<http://www.siemens.com/cax>

### Tender specifications

<http://www.siemens.com/specifications>