

Handle unit with EFM20, for Size NH00, accessory for fuse switch disconnector 3NP1



Wersja

Nazwa markowa produktu	SETRON
wykonanie produktu	Wyposażenie do bezpiecznikowego rozłącznika izolacyjnego 3NP1

Certyfikaty

General Product Approval	Declaration of Conformity	Test Certificates
--------------------------	---------------------------	-------------------

[Miscellaneous](#)

[Type Test Certificates/Test Report](#)



EG-Konf.

Więcej informacji

Information- and Downloadcenter (Catalogs, Brochures,...)

<http://www.siemens.com/lowvoltage/catalogs>

Industry Mall (Online ordering system)

<https://mall.industry.siemens.com/mall/en/en/Catalog/product?mlfb=3NP1933-1GB30>

Service&Support (Manuals, Certificates, Characteristics, FAQs,...)

<https://support.industry.siemens.com/cs/ww/pl/ps/3NP1933-1GB30>

Image database (product images, 2D dimension drawings, 3D models, device circuit diagrams, ...)

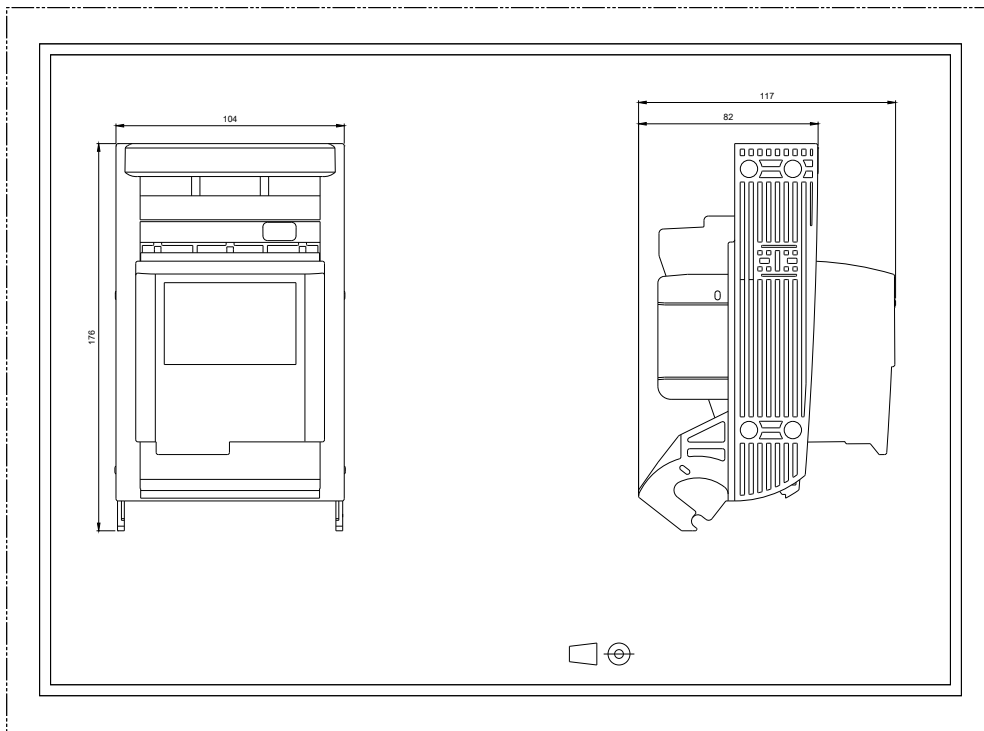
http://www.automation.siemens.com/bilddb/cax_en.aspx?mlfb=3NP1933-1GB30

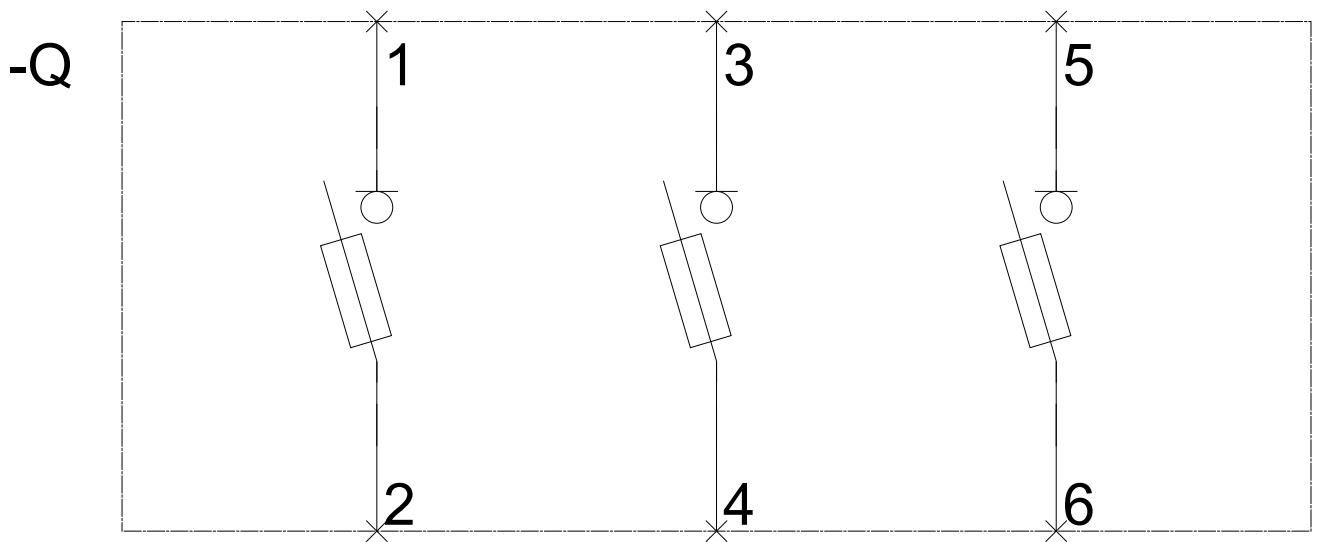
CAx-Online-Generator

<http://www.siemens.com/cax>

Tender specifications

<http://www.siemens.com/specifications>





-CB

