

Handle unit with EFM25, for Size NH00, accessory for fuse switch disconnector 3NP1



Wersja

| | |
|------------------------|---|
| Nazwa markowa produktu | SETRON |
| wykonanie produktu | Wyposażenie do bezpiecznikowego rozłącznika izolacyjnego 3NP1 |

Certyfikaty

| General Product Approval | Declaration of Conformity | Test Certificates |
|--------------------------|---------------------------|-------------------|
|--------------------------|---------------------------|-------------------|

[Miscellaneous](#)

[Type Test Certificates/Test Report](#)



EG-Konf.

Więcej informacji

Information- and Downloadcenter (Catalogs, Brochures,...)

<http://www.siemens.com/lowvoltage/catalogs>

Industry Mall (Online ordering system)

<https://mall.industry.siemens.com/mall/en/en/Catalog/product?mlfb=3NP1933-1GB50>

Service&Support (Manuals, Certificates, Characteristics, FAQs,...)

<https://support.industry.siemens.com/cs/ww/pl/ps/3NP1933-1GB50>

Image database (product images, 2D dimension drawings, 3D models, device circuit diagrams, ...)

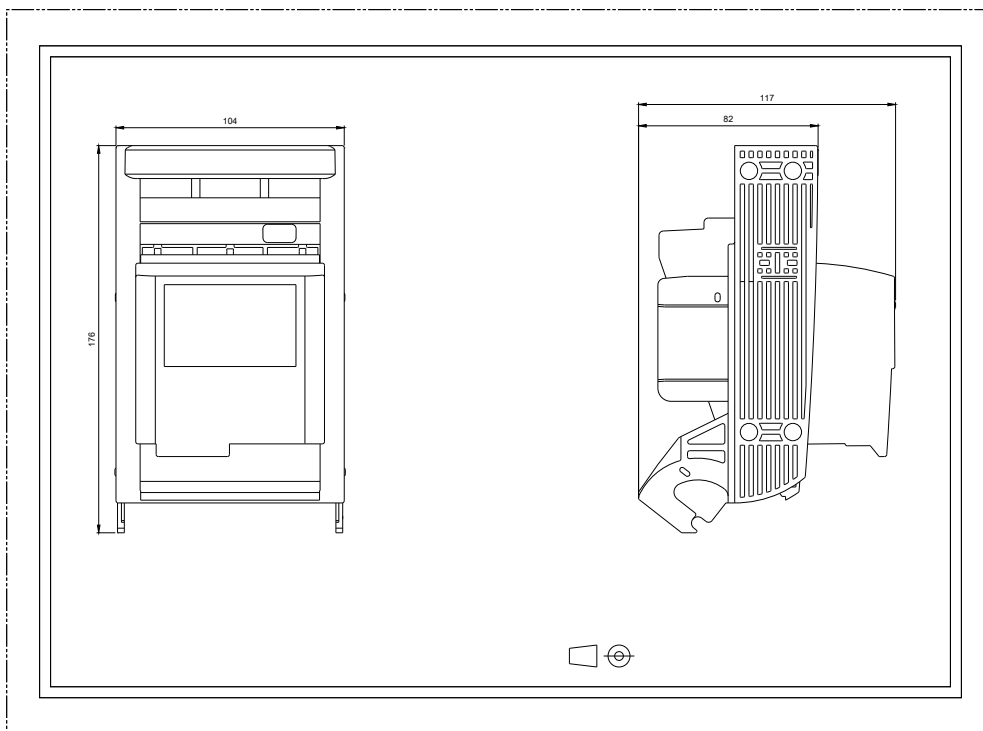
http://www.automation.siemens.com/bilddb/cax_en.aspx?mlfb=3NP1933-1GB50

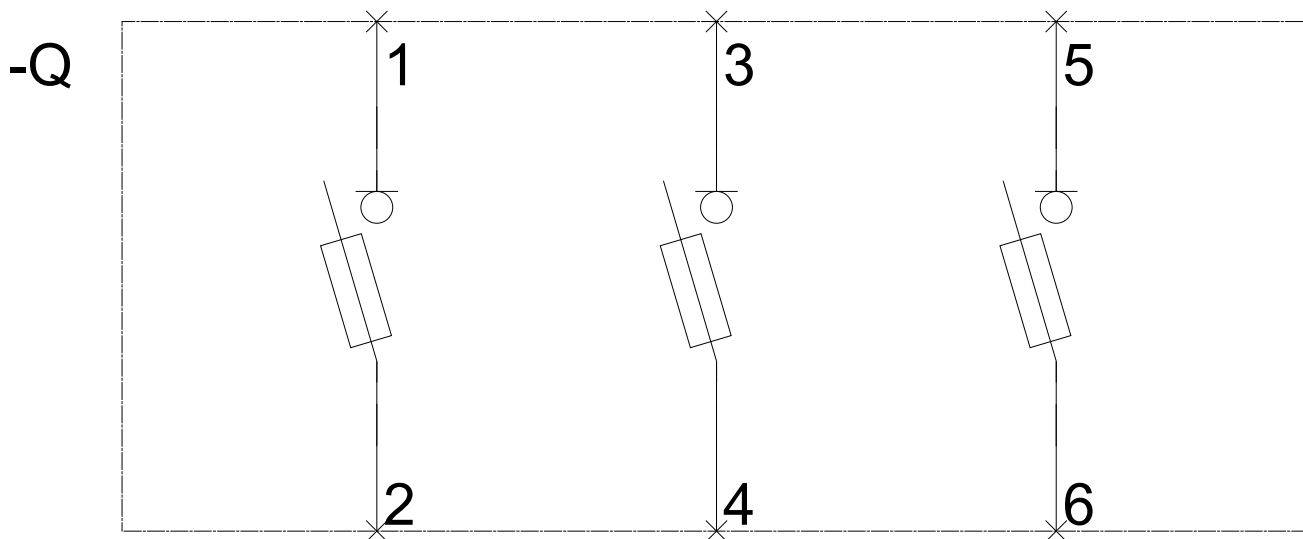
CAx-Online-Generator

<http://www.siemens.com/cax>

Tender specifications

<http://www.siemens.com/specifications>





-CB

