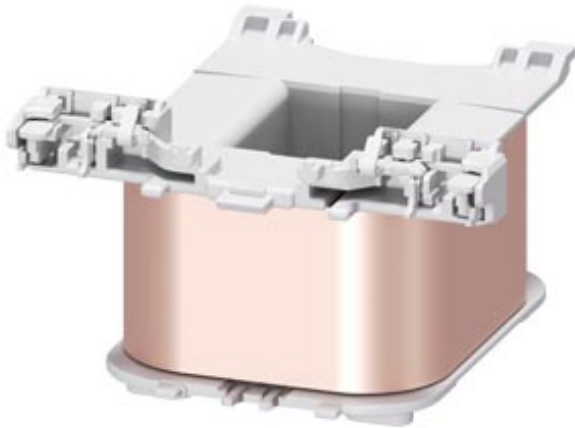


Magnet coil for contactor S3, 400 V AC, 50 Hz / 440 V, 60 Hz .



General technical data	
Product brand name	SIRIUS
Product designation	Magnet coil
Control circuit	
Type of voltage of the control supply voltage	AC
Control supply voltage frequency	<ul style="list-style-type: none"> • 1 rated value 50 Hz • 2 rated value 60 Hz
Control supply voltage	<ul style="list-style-type: none"> • 1 at AC <ul style="list-style-type: none"> — at 50 Hz rated value 400 V — at 60 Hz rated value 400 V • 2 at AC <ul style="list-style-type: none"> — at 60 Hz rated value 440 V
Operating range factor control supply voltage rated value of magnet coil at AC	<ul style="list-style-type: none"> • at 50 Hz 0.8 ... 1.1 • at 60 Hz 0.85 ... 1.1

Certificates/approvals

General Product Approval	EMC	Declaration of Conformity	Shipping Approval	other
--------------------------	-----	---------------------------	-------------------	-------



[Miscellaneous](#)



[Confirmation](#)

Further information

Information- and Downloadcenter (Catalogs, Brochures,...)

<http://www.siemens.com/industrial-controls/catalogs>

Industry Mall (Online ordering system)

<https://mall.industry.siemens.com/mall/en/en/Catalog/product?mfb=3RT2944-5AR61>

Cax online generator

<http://support.automation.siemens.com/WW/CAXorder/default.aspx?lang=en&mfb=3RT2944-5AR61>

Service&Support (Manuals, Certificates, Characteristics, FAQs,...)

<https://support.industry.siemens.com/cs/ww/en/ps/3RT2944-5AR61>

Image database (product images, 2D dimension drawings, 3D models, device circuit diagrams, EPLAN macros, ...)

http://www.automation.siemens.com/bilddb/cax_de.aspx?mfb=3RT2944-5AR61&lang=en

last modified:

09/11/2019