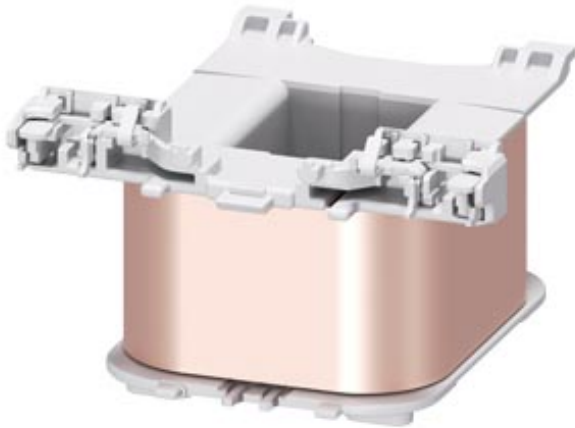


Magnet coil for contactor S3, 600 V AC, 60Hz,



## General technical data

<b>Product brand name</b>	SIRIUS
<b>Product designation</b>	Magnet coil

## Control circuit

<b>Type of voltage of the control supply voltage</b>	AC
<b>Control supply voltage frequency</b>	60 Hz
<ul style="list-style-type: none"> <li>• 2 rated value</li> </ul>	
<b>Control supply voltage</b>	600 V
<ul style="list-style-type: none"> <li>• 1 at AC</li> <li>— at 60 Hz rated value</li> </ul>	
<b>Operating range factor control supply voltage rated value of magnet coil at AC</b>	
<ul style="list-style-type: none"> <li>• at 50 Hz</li> <li>• at 60 Hz</li> </ul>	<p>0.8</p> <p>0.8 ... 1.1</p>

## Certificates/approvals

General Product Approval	EMC	Declaration of Conformity	Shipping Approval	other
--------------------------	-----	---------------------------	-------------------	-------



[Miscellaneous](#)



[Confirmation](#)

#### Further information

**Information- and Downloadcenter (Catalogs, Brochures,...)**

<http://www.siemens.com/industrial-controls/catalogs>

**Industry Mall (Online ordering system)**

<https://mall.industry.siemens.com/mall/en/en/Catalog/product?mfb=3RT2944-5AT61>

**Cax online generator**

<http://support.automation.siemens.com/WW/CAXorder/default.aspx?lang=en&mfb=3RT2944-5AT61>

**Service&Support (Manuals, Certificates, Characteristics, FAQs,...)**

<https://support.industry.siemens.com/cs/ww/en/ps/3RT2944-5AT61>

**Image database (product images, 2D dimension drawings, 3D models, device circuit diagrams, EPLAN macros, ...)**

[http://www.automation.siemens.com/bilddb/cax\\_de.aspx?mfb=3RT2944-5AT61&lang=en](http://www.automation.siemens.com/bilddb/cax_de.aspx?mfb=3RT2944-5AT61&lang=en)

last modified:

09/11/2019