



1 Intended use

The product is a flush mounted USB (1x USB-C®, 1x USB-A) GaN charger outlet.

Electrical installations must be carried out by licensed professionals.

The product is intended for indoor use only. Do not use it outdoors.

Contact with moisture must be avoided under all circumstances.

If you use the product for purposes other than those described, the product may be damaged.

Improper use can result in short circuits, fires, electric shocks or other hazards.

The product complies with the statutory national and European requirements.

For safety and approval purposes, you must not rebuild and/or modify the product.

Read the installation instructions carefully and store them in a safe place. Make this product available to third parties only together with the installation instructions.

All company names and product names are trademarks of their respective owners. All rights reserved.

USB4®, USB Type-C® and USB-C® are registered trademarks of USB Implementers Forum.

2 Delivery contents

- Product
- Operating instructions

3 Latest product information

Download the latest product information at www.conrad.com/downloads or scan the QR code shown. Follow the instructions on the website.

4 Description of symbols

The following symbols are on the product/appliance or are used in the text:



The symbol warns of hazards that can lead to personal injury.



The symbol warns of dangerous voltage that can lead to personal injury by electric shock.



This product must only be used in dry, enclosed indoor areas. It must not become damp or wet.

5 Safety instructions



Read the installation instructions carefully and especially observe the safety information. If you do not follow the safety instructions and information on proper handling, we assume no liability for any resulting personal injury or damage to property. Such cases will invalidate the warranty/guarantee.

5.1 General

- The product is not a toy. Keep it out of the reach of children and pets.
- Do not leave packaging material lying around carelessly. This may become dangerous playing material for children.
- If you have questions which remain unanswered by this information product, contact our technical support service or other technical personnel.
- Maintenance, modifications and repairs must only be completed by a technician or an authorised repair centre.

5.2 Handling

- Handle the product carefully. Jolts, impacts or a fall even from a low height can damage the product.

5.3 Electrical installation

WARNING! Safety hazard!

The product should only be installed by people with relevant electrical knowledge and experience! *)

If it is not installed properly, you risk:

- your own life
- the life of user of the electrical device
- severe damage to property, e.g., by fire
- personal liability for personal injury and material damage

Always consult an electrician!

*) Technical knowledge required to perform the installation:

For the installation, the following specialist knowledge is required in particular:

- The "Five safety rules": Disconnect from the mains; protect against accidental switch-on; ensure there is no voltage; earth and short-circuit; cover or protect adjacent live parts
- Use of suitable tools, measuring devices and personal protective equipment, where necessary
- Analysis of measurement results
- Use of electrical installation materials to meet the requirements for disconnection
- IP protection ratings
- Installation of electrical installation materials
- Type of power supply (TN system, IT system, TT system) and the corresponding connection criteria (classic earthing, protective earthing, necessary additional measures etc.)

If you are not a professional, do not do it yourself, have it performed by a specialist.

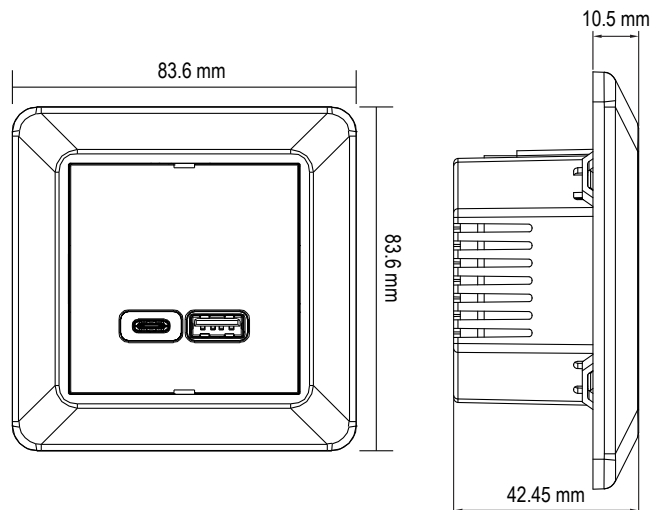
5.4 Operating environment

- Do not place the product under any mechanical stress.
- Protect the appliance from extreme temperatures, strong jolts, flammable gases, steam and solvents.
- Protect the product from high humidity and moisture.
- Protect the product from direct sunlight.

5.5 Operation

- Consult an expert when in doubt about the operation, safety or connection of the product.
- If it is no longer possible to operate the product safely, take it out of operation and protect it from any accidental use. DO NOT attempt to repair the product yourself. Safe operation can no longer be guaranteed if the product:
 - is visibly damaged,
 - is no longer working properly,
 - has been stored for extended periods in poor ambient conditions or
 - has been subjected to any serious transport-related stresses.

6 Installation diagram



7 Disposal



This symbol must appear on any electrical and electronic equipment placed on the EU market. This symbol indicates that this device should not be disposed of as unsorted municipal waste at the end of its service life.

Owners of WEEE (Waste from Electrical and Electronic Equipment) shall dispose of it separately from unsorted municipal waste. Spent batteries and accumulators, which are not enclosed by the WEEE, as well as lamps that can be removed from the WEEE in a non-destructive manner, must be removed by end users from the WEEE in a non-destructive manner before it is handed over to a collection point.

Distributors of electrical and electronic equipment are legally obliged to provide free take-back of waste. Conrad provides the following return options **free of charge** (more details on our website):

- in our Conrad offices
- at the Conrad collection points
- at the collection points of public waste management authorities or the collection points set up by manufacturers or distributors within the meaning of the ElektroG

End users are responsible for deleting personal data from the WEEE to be disposed of.

It should be noted that different obligations about the return or recycling of WEEE may apply in countries outside of Germany.

8 Technical data

8.1 Data according to EU regulation 2019/1782

Manufacturer	Conrad Electronic SE, Klaus-Conrad-Str. 1, D-92240 Hirschau
Commercial registration number	HRB 3896
Model identifier	U15
Input voltage	200 - 240 V/AC
Input AC frequency	50 - 60 Hz
Output voltage	Single port output
Output current	USB-A 1:
Output power	5.0 V/DC 3.0 A max. 15.0 W 9.0 V/DC 3.0 A max. 27.0 W 12.0 V/DC 3.0 A max. 36.0 W 20.0 V/DC 3.25 A max. 65.0 W USB-C® 1: 5.0V DC 3.0 A max. 15.0W 9.0 V/DC 3.0 A max. 27.0 W 12.0 V/DC 3.0 A max. 36.0 W 15.0 V/DC 3.0 A max. 45.0 W 20.0 V/DC 3.25 A max. 65.0 W Dual port output USB-A 1 + USB-C® 1: USB-A 1: 5.0 V/DC 2.4 A max. 12.0 W USB-C® 1: 5.0 V/DC 3.0 A max.15.0 W 9.0 V/DC 3.0 A max. 27.0 W 12.0 V/DC 3.0 A max. 36.0 W 15.0 V/DC 3.0 A max. 45.0 W 20.0 V/DC 2.25 A max. 45.0 W
Average active efficiency	88.8
Efficiency at low load (10 %)	81.2 %
No-load power consumption	0.19 W

8.2 Product

USB port protection Short circuit, over current, over voltage

8.3 Others

Operating temperature -10 to +40 °C

Operating humidity 10 - 90 % RH

Storage temperature -20 to +60 °C

Storage humidity 10 - 90 % RH

Dimensions (W x H x D) (approx.) . 84 x 84 x 43 mm

Weight (approx.) 150 g

This is a publication by Conrad Electronic SE, Klaus-Conrad-Str. 1, D-92240 Hirschau (www.conrad.com).

All rights including translation reserved. Reproduction by any method (e.g. photocopying, microfilming or the capture in electronic data processing systems) requires prior written approval from the editor. Reprinting, also in part, is prohibited. This publication reflects the technical status at the time of printing.

Copyright by Conrad Electronic SE.

*2625955_V3_0123_dh_mi_en 9007200009653131 I2/O3 en