

Supply terminal 16 - 95 mm², for size NH000 with Box terminal, accessory for fuse switch disconnecter 3NP1 Contains 3 terminals



версия

Фирменное название продукта

SETRON

Сертификаты

[General Product Approval](#)

[Declaration of Conformity](#)

[Miscellaneous](#)



EG-Konf.

Дополнительная информация

Information- and Downloadcenter (Catalogs, Brochures,...)

<http://www.siemens.com/lowvoltage/catalogs>

Industry Mall (Online ordering system)

<https://mall.industry.siemens.com/mall/ru/ru/Catalog/product?mlfb=3NP1923-1BD00>

Service&Support (Manuals, Certificates, Characteristics, FAQs,...)

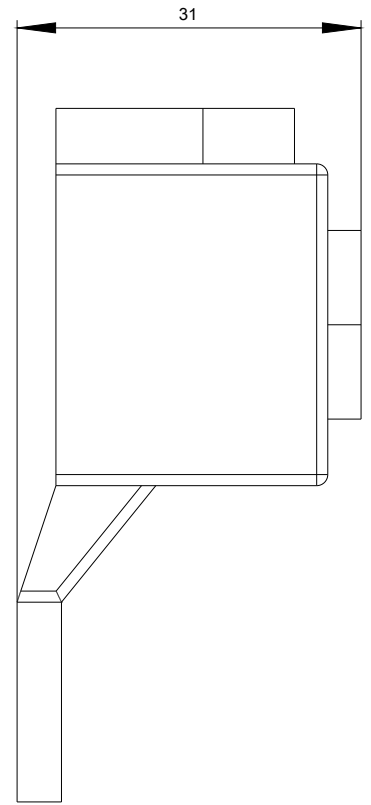
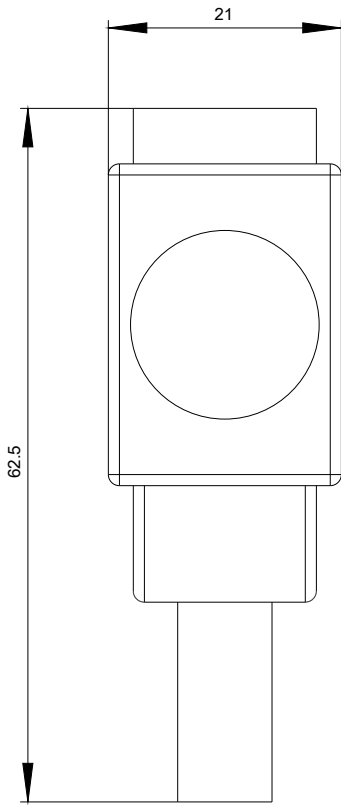
<https://support.industry.siemens.com/cs/ww/ru/ps/3NP1923-1BD00>

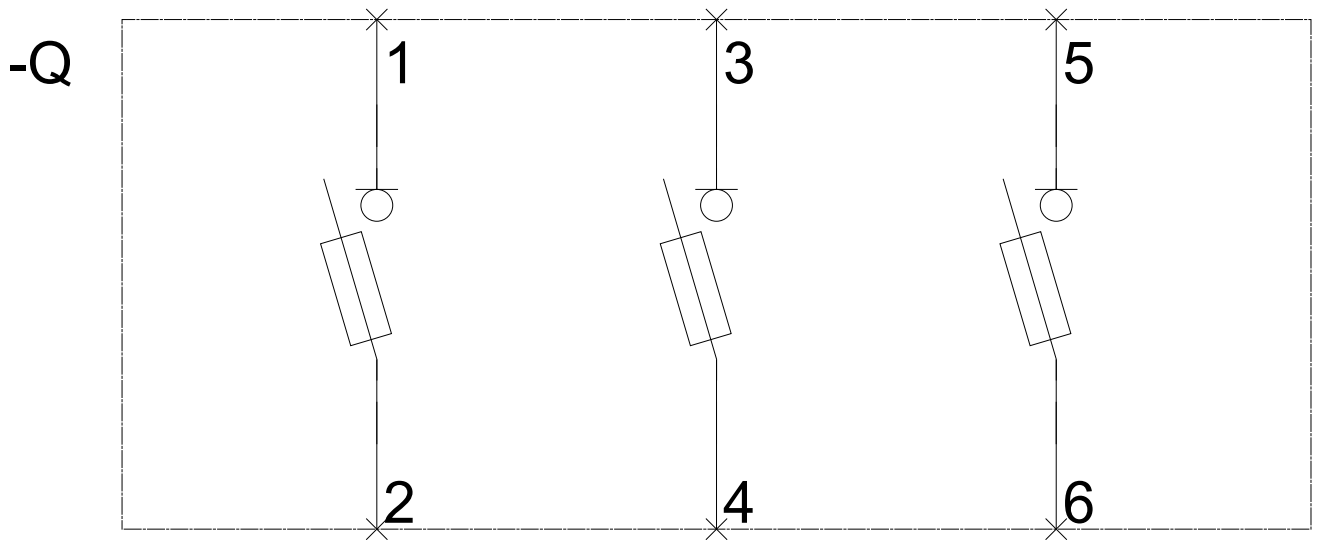
Image database (product images, 2D dimension drawings, 3D models, device circuit diagrams, ...)

http://www.automation.siemens.com/bilddb/cax_en.aspx?mlfb=3NP1923-1BD00

CAX-Online-Generator

<http://www.siemens.com/cax>





-CB

