

Connection block, with box terminal 6 - 70 mm², for Size NH00, 32 mm Cover level with screw terminal, accessory for fuse switch disconnecter 3NP1



версия

Фирменное название продукта

SENTRON

Сертификаты

[General Product Approval](#)

[Declaration of Conformity](#)

[Miscellaneous](#)



EG-Konf.

Дополнительная информация

Information- and Downloadcenter (Catalogs, Brochures,...)

<http://www.siemens.com/lowvoltage/catalogs>

Industry Mall (Online ordering system)

<https://mall.industry.siemens.com/mall/ru/ru/Catalog/product?mlfb=3NP1933-1BC00>

Service&Support (Manuals, Certificates, Characteristics, FAQs,...)

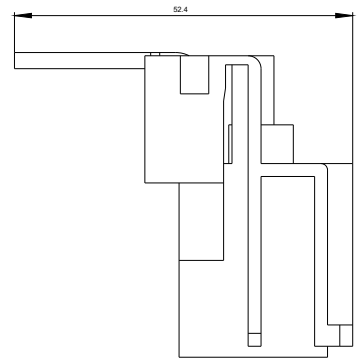
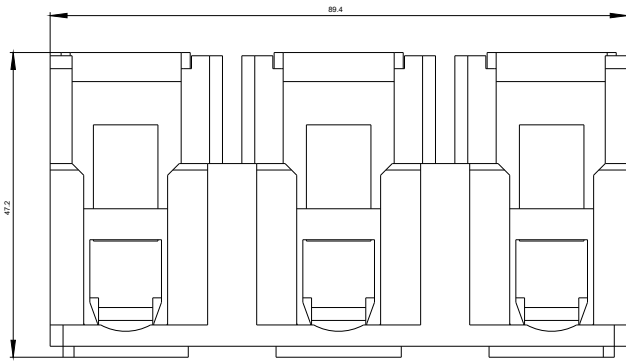
<https://support.industry.siemens.com/cs/ww/ru/ps/3NP1933-1BC00>

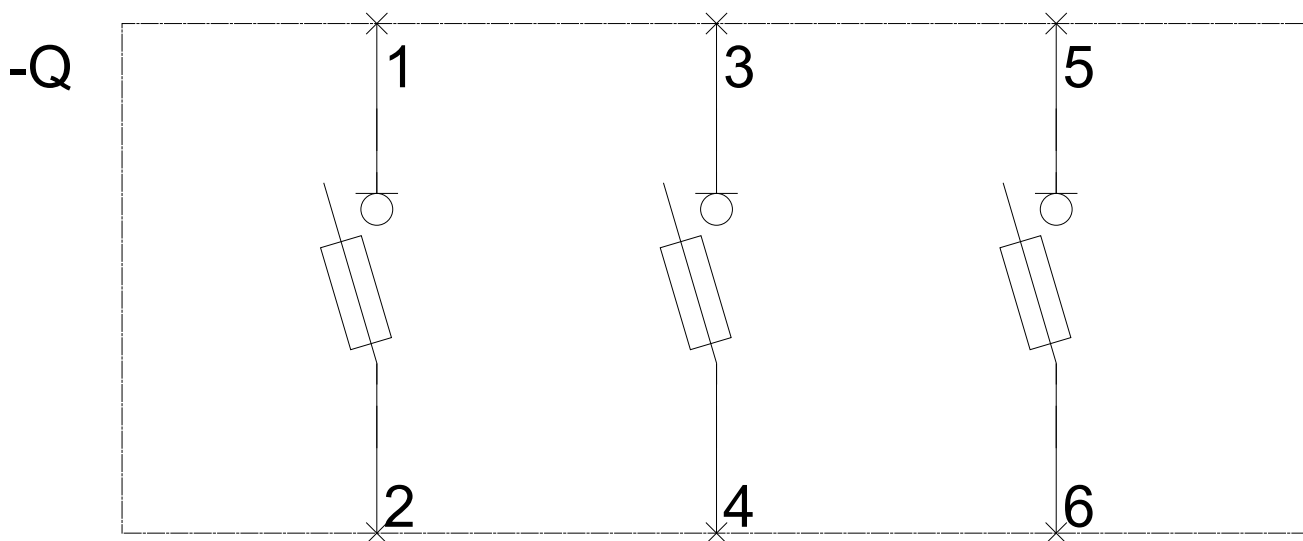
Image database (product images, 2D dimension drawings, 3D models, device circuit diagrams, ...)

http://www.automation.siemens.com/bilddb/cax_en.aspx?mlfb=3NP1933-1BC00

CAX-Online-Generator

<http://www.siemens.com/cax>





-CB



