

Handle unit with EFM25, for Size NH3, accessory for fuse switch disconnector 3NP1



## версия

Фирменное название продукта

SETRON

## Сертификаты

General Product Approval	Declaration of Conformity	Test Certificates
--------------------------	---------------------------	-------------------

[Miscellaneous](#)

[Type Test Certificates/Test Report](#)



EG-Konf.

## Дополнительная информация

**Information- and Downloadcenter (Catalogs, Brochures,...)**

<http://www.siemens.com/lowvoltage/catalogs>

**Industry Mall (Online ordering system)**

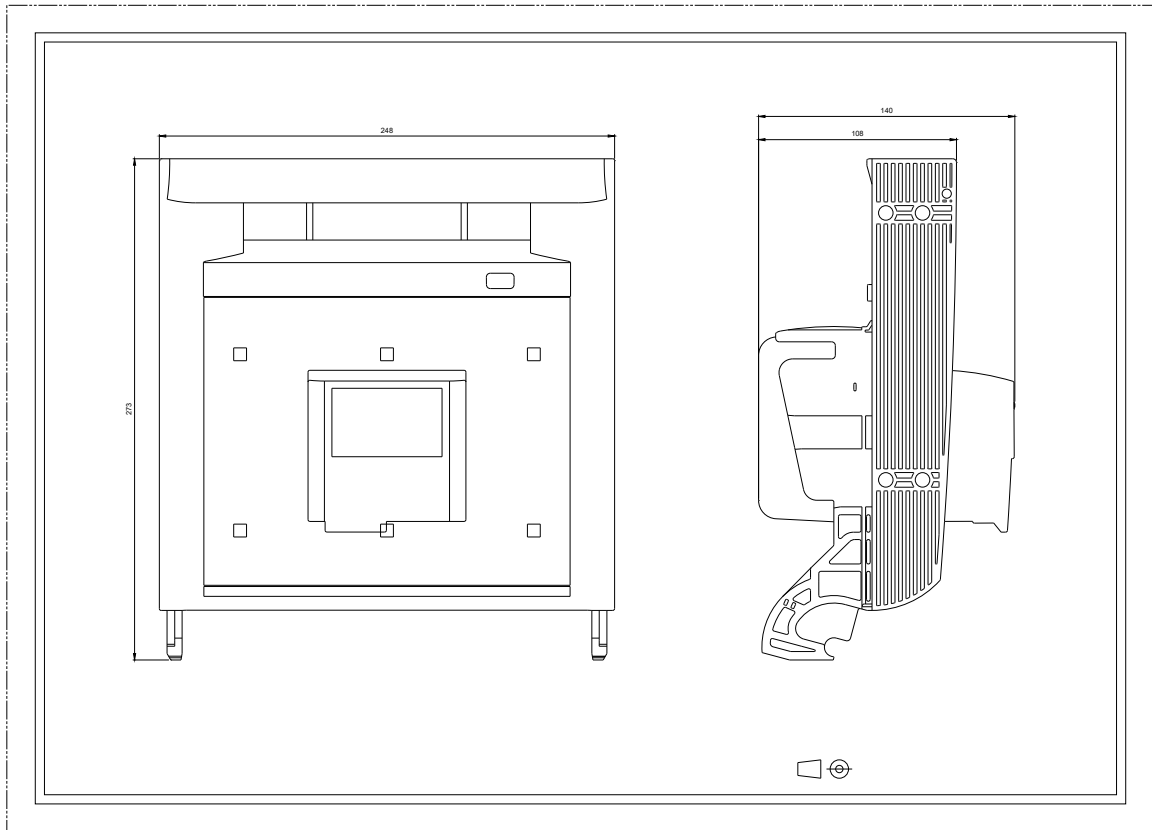
<https://mall.industry.siemens.com/mall/ru/ru/Catalog/product?mlfb=3NP1963-1GB50>

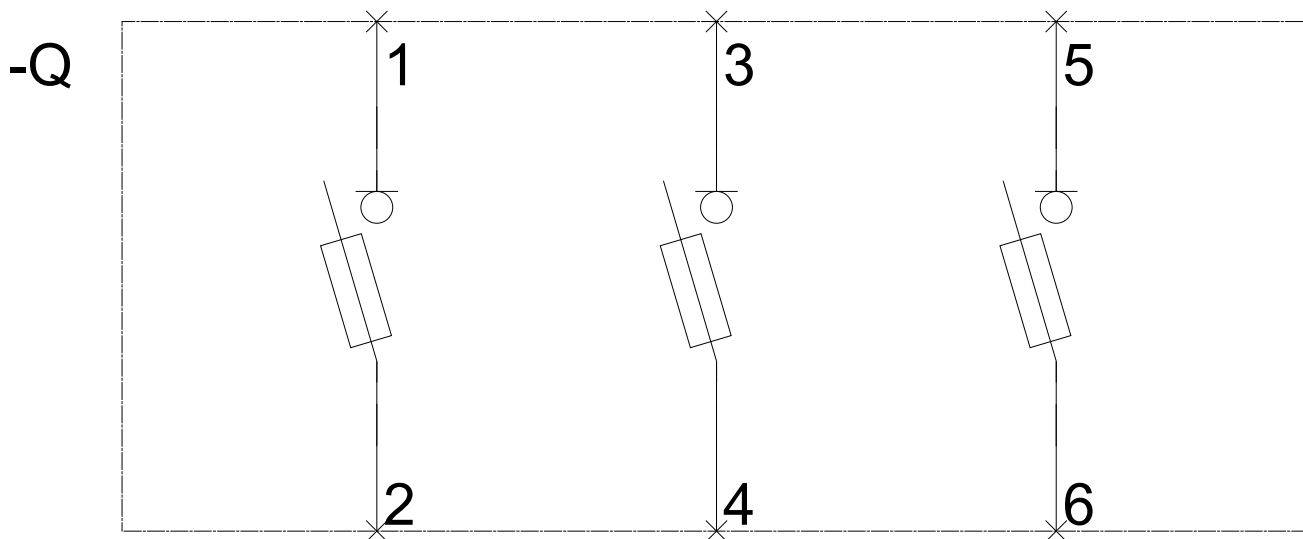
**Service&Support (Manuals, Certificates, Characteristics, FAQs,...)**

<https://support.industry.siemens.com/cs/ww/ru/ps/3NP1963-1GB50>

**Image database (product images, 2D dimension drawings, 3D models, device circuit diagrams, ...)**

[http://www.automation.siemens.com/bilddb/cax\\_en.aspx?mlfb=3NP1963-1GB50](http://www.automation.siemens.com/bilddb/cax_en.aspx?mlfb=3NP1963-1GB50)





**-CB**

