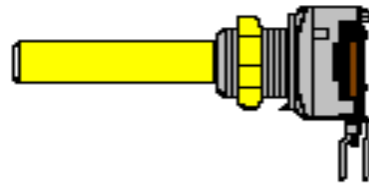




Entsprechend ROHS ( EG2002/95/EC)

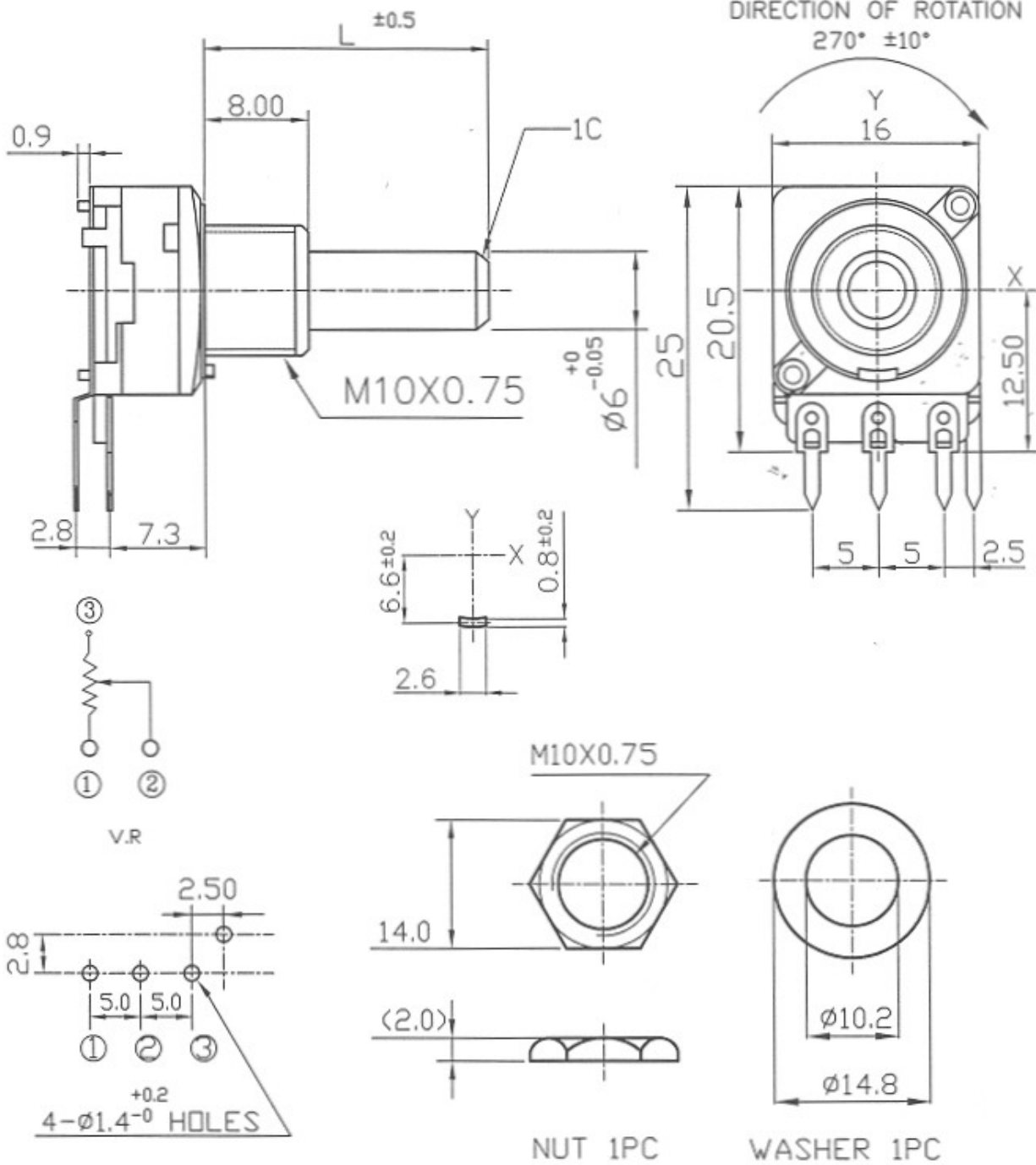


Ausführung MONO/single turn  
 Typ 63250-016XX  
 Welle/shaft 6 mm L=30 mm  
 Buchse/bushing M10x0,75  
 Printausführung/for printed circuit  
 Drehbereich/Rotation angle 270° +-5%  
 Belastbarkeit/rated wattage lin 0,2W/log 0,05 W

## ALPHASTAT 16 63250-016XX

	Standard 63250-01600/—			Mittenrast/center click 63250-01610/—			Rast 11/11 clicks 63250-01620/—			Rast 41/41 clicks 63250-01640/—		
	lin	poslog	neglog	lin	poslog	neglog	lin	poslog	neglog	lin	poslog	neglog
<b>1 k</b>	2162*	2175*	2190	2202	2215	2230	2242	2255	2270	2282	2295	2310
<b>2,5 k</b>	2163*	2176*		2203	2216		2243	2256		2283	2296	
<b>5 k</b>	2164*	2177*	2192	2204	2217	2232	2244	2257	2272	2284	2297	2312
<b>10 k</b>	2165*	2178*	2193	2205	2218	2233	2245	2258	2273	2285	2298	2313
<b>25 k</b>	2166*	2179*		2206	2219		2246	2259		2286	2299	
<b>50 k</b>	2167*	2180*	2195	2207	2220	2235	2247	2260	2275	2287	2300	2315
<b>100 k</b>	2168*	2181*	2196	2208	2221	2236	2248	2261	2276	2288	2301	2316
<b>250 k</b>	2169*	2182*		2209	2222		2249	2262		2289	2302	
<b>500 k</b>	2170*	2183*		2210	2223		2250	2263		2290	2303	
<b>1 M</b>	2171*	2184*		2211	2224		2251	2264		2291	2304	

\* lagermässige Ausführungen



				RD1601F-20F4-R- -6 2		
No.	DATE	DESCRIPTION	PART No.	NAME		
TOL.UNLESS OTHERWISE STATED	DIMENSION	SCALE	DRAWN BY	CHECKED BY	APPROVED BY	DRAWING No.
less than 10	±0.3	mm				
above 10~30	±0.5					
above 30~100	±1.0					
above	±5'					