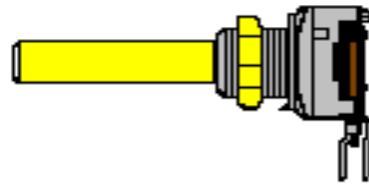




Entsprechend ROHS (EG2002/95/EC)

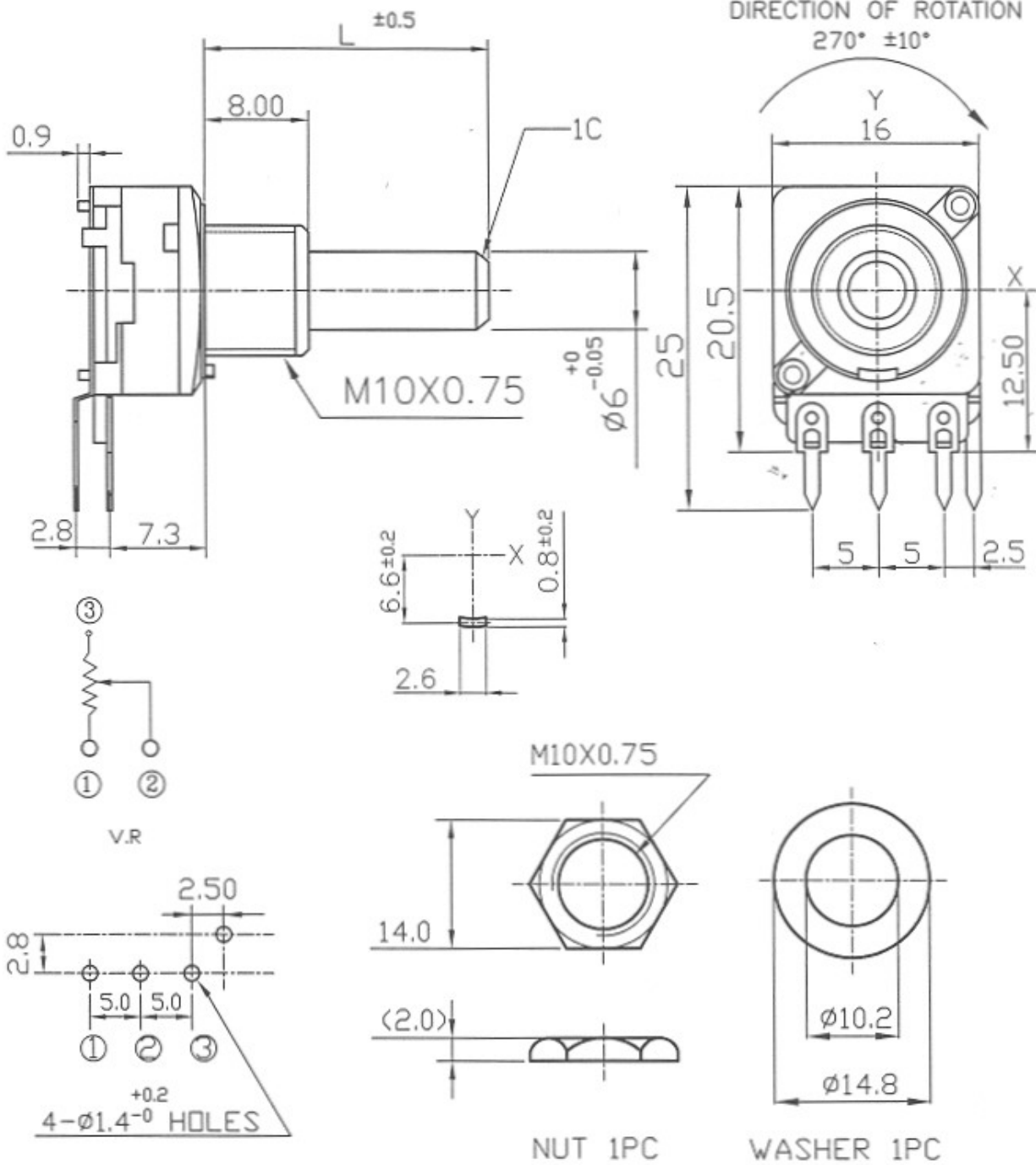


Ausführung MONO/single turn
 Typ 63250-016XX
 Welle/shaft 6 mm L=30 mm
 Buchse/bushing M10x0,75
 Printausführung/for printed circuit
 Drehbereich/Rotation angle 270° +-5%
 Belastbarkeit/rated wattage lin 0,2W/log 0,05 W

ALPHASTAT 16 63250-016XX

	Standard 63250-01600/—			Mittenrast/center click 63250-01610/—			Rast 11/11 clicks 63250-01620/—			Rast 41/41 clicks 63250-01640/—		
	lin	poslog	neglog	lin	poslog	neglog	lin	poslog	neglog	lin	poslog	neglog
1 k	2162*	2175*	2190	2202	2215	2230	2242	2255	2270	2282	2295	2310
2,5 k	2163*	2176*		2203	2216		2243	2256		2283	2296	
5 k	2164*	2177*	2192	2204	2217	2232	2244	2257	2272	2284	2297	2312
10 k	2165*	2178*	2193	2205	2218	2233	2245	2258	2273	2285	2298	2313
25 k	2166*	2179*		2206	2219		2246	2259		2286	2299	
50 k	2167*	2180*	2195	2207	2220	2235	2247	2260	2275	2287	2300	2315
100 k	2168*	2181*	2196	2208	2221	2236	2248	2261	2276	2288	2301	2316
250 k	2169*	2182*		2209	2222		2249	2262		2289	2302	
500 k	2170*	2183*		2210	2223		2250	2263		2290	2303	
1 M	2171*	2184*		2211	2224		2251	2264		2291	2304	

* lagermässige Ausführungen



RD1601F-20F4-R- -6 2

No.	DATE	DESCRIPTION	PART No.	NAME		
TOL.UNLESS OTHERWISE STATED		DIMENSION	SCALE	DRAWN BY	CHECKED BY	APPROVED BY
less than	10	±0.3	mm			
above	10~30	±0.5				
above	30~100	±1.0				
above		±5'				