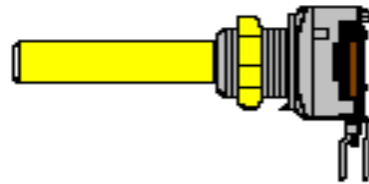




Entsprechend ROHS ( EG2002/95/EC)

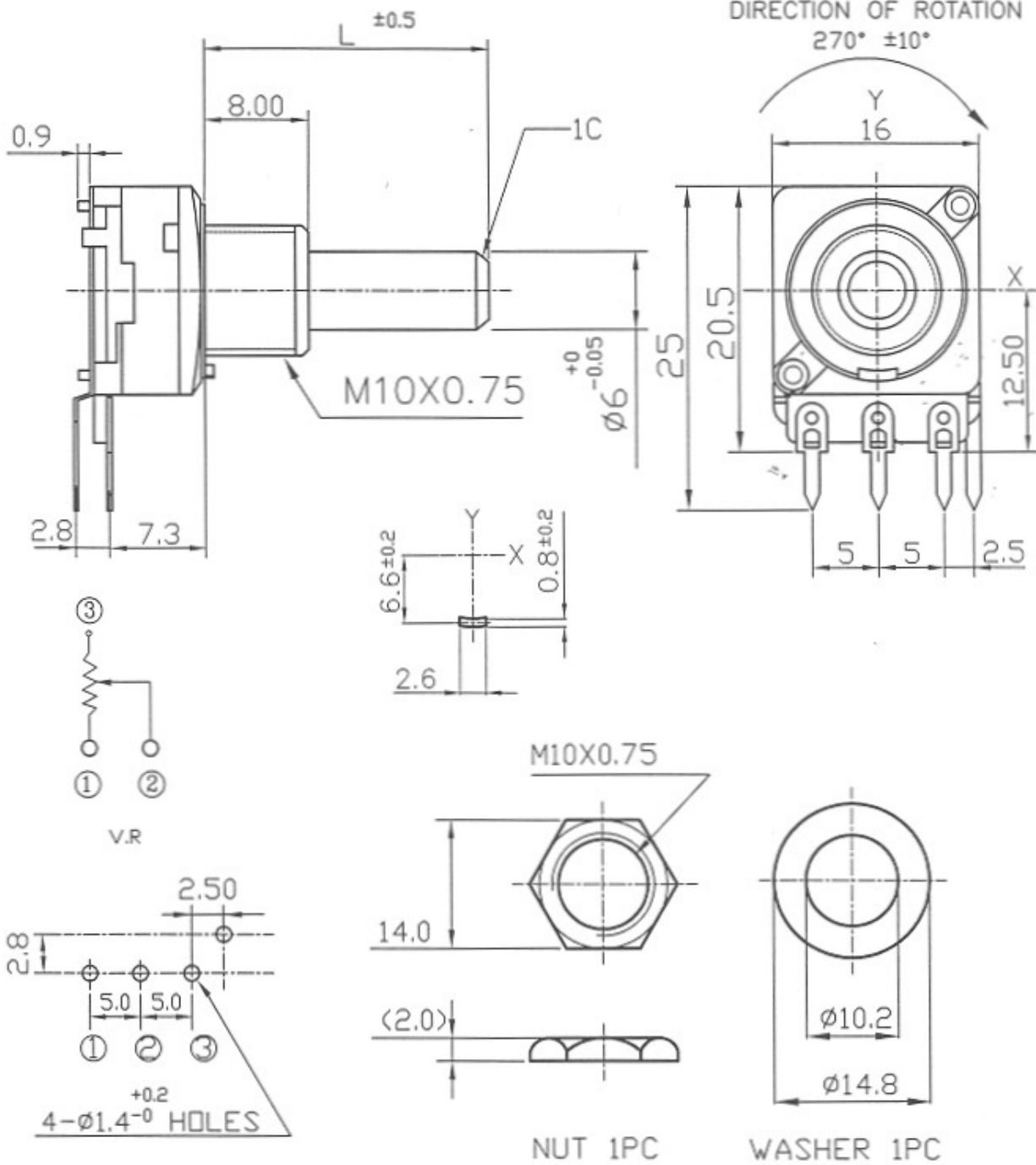


Ausführung MONO/single turn  
 Typ 63250-016XX  
 Welle/shaft 6 mm L=30 mm  
 Buchse/bushing M10x0,75  
 Printausführung/for printed circuit  
 Drehbereich/Rotation angle 270° +-5%  
 Belastbarkeit/rated wattage lin 0,2W/log 0,05 W

### ALPHASTAT 16 63250-016XX

|              | Standard<br>63250-01600/— |        |        | Mittenrast/center click<br>63250-01610/— |        |        | Rast 11/11 clicks<br>63250-01620/— |        |        | Rast 41/41 clicks<br>63250-01640/— |        |        |
|--------------|---------------------------|--------|--------|--|--------|--------|------------------------------------|--------|--------|------------------------------------|--------|--------|
|              | lin                       | poslog | neglog | lin                                      | poslog | neglog | lin                                | poslog | neglog | lin                                | poslog | neglog |
| <b>1 k</b>   | 2162*                     | 2175*  | 2190   | 2202                                     | 2215   | 2230   | 2242                               | 2255   | 2270   | 2282                               | 2295   | 2310   |
| <b>2,5 k</b> | 2163*                     | 2176*  |        | 2203                                     | 2216   |        | 2243                               | 2256   |        | 2283                               | 2296   |        |
| <b>5 k</b>   | 2164*                     | 2177*  | 2192   | 2204                                     | 2217   | 2232   | 2244                               | 2257   | 2272   | 2284                               | 2297   | 2312   |
| <b>10 k</b>  | 2165*                     | 2178*  | 2193   | 2205                                     | 2218   | 2233   | 2245                               | 2258   | 2273   | 2285                               | 2298   | 2313   |
| <b>25 k</b>  | 2166*                     | 2179*  |        | 2206                                     | 2219   |        | 2246                               | 2259   |        | 2286                               | 2299   |        |
| <b>50 k</b>  | 2167*                     | 2180*  | 2195   | 2207                                     | 2220   | 2235   | 2247                               | 2260   | 2275   | 2287                               | 2300   | 2315   |
| <b>100 k</b> | 2168*                     | 2181*  | 2196   | 2208                                     | 2221   | 2236   | 2248                               | 2261   | 2276   | 2288                               | 2301   | 2316   |
| <b>250 k</b> | 2169*                     | 2182*  |        | 2209                                     | 2222   |        | 2249                               | 2262   |        | 2289                               | 2302   |        |
| <b>500 k</b> | 2170*                     | 2183*  |        | 2210                                     | 2223   |        | 2250                               | 2263   |        | 2290                               | 2303   |        |
| <b>1 M</b>   | 2171*                     | 2184*  |        | 2211                                     | 2224   |        | 2251                               | 2264   |        | 2291                               | 2304   |        |

\* lagermässige Ausführungen



|                                   |        |             |          |                      |            |             |
|-----------------------------------|--------|-------------|----------|----------------------|------------|-------------|
|                                   |        |             |          | RD1601F-20F4-R- -6 2 |            |             |
| No.                               | DATE   | DESCRIPTION | PART No. | NAME                 |            |             |
| TOL.UNLESS OTHERWISE STATED       |        | DIMENSION   | SCALE    | DRAWN BY             | CHECKED BY | APPROVED BY |
| less than                         | 10     | ±0.3        | mm       |                      |            |             |
| above                             | 10~30  | ±0.5        |          |                      |            |             |
| above                             | 30~100 | ±1.0        |          |                      |            |             |
| above                             |        | ±5'         |          |                      |            |             |
| TAIWAN ALPHA ELECTRONIC CO., LTD. |        |             |          |                      |            |             |