

Handle unit with MFM, for Size NH1, accessory for fuse switch disconnecter 3NP1



Versiyon

ürün marka adı

SETRON

Sertifikalar

General Product Approval

[Miscellaneous](#)

Declaration of Conformity



EG-Konf.

Test Certificates

[Type Test Certificates/Test Report](#)

Diğer bilgiler

Information- and Downloadcenter (Catalogs, Brochures,...)

<http://www.siemens.com/lowvoltage/catalogs>

Industry Mall (Online ordering system)

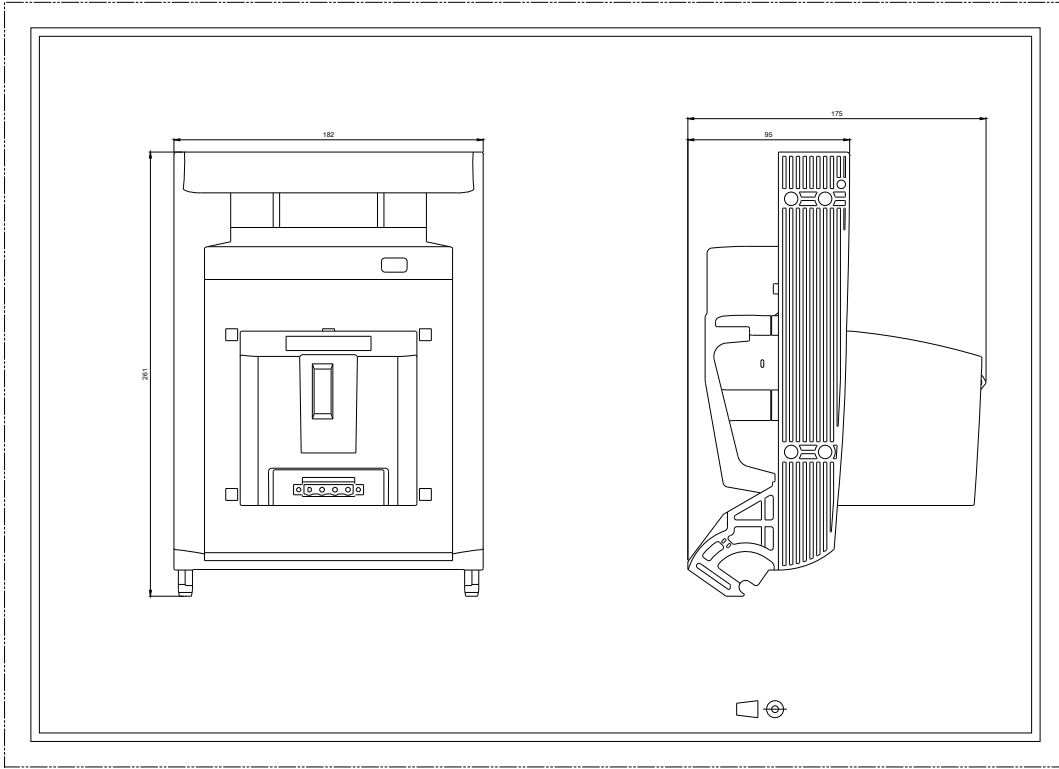
<https://mall.industry.siemens.com/mall/tr/tr/Catalog/product?mlfb=3NP1943-1GB10>

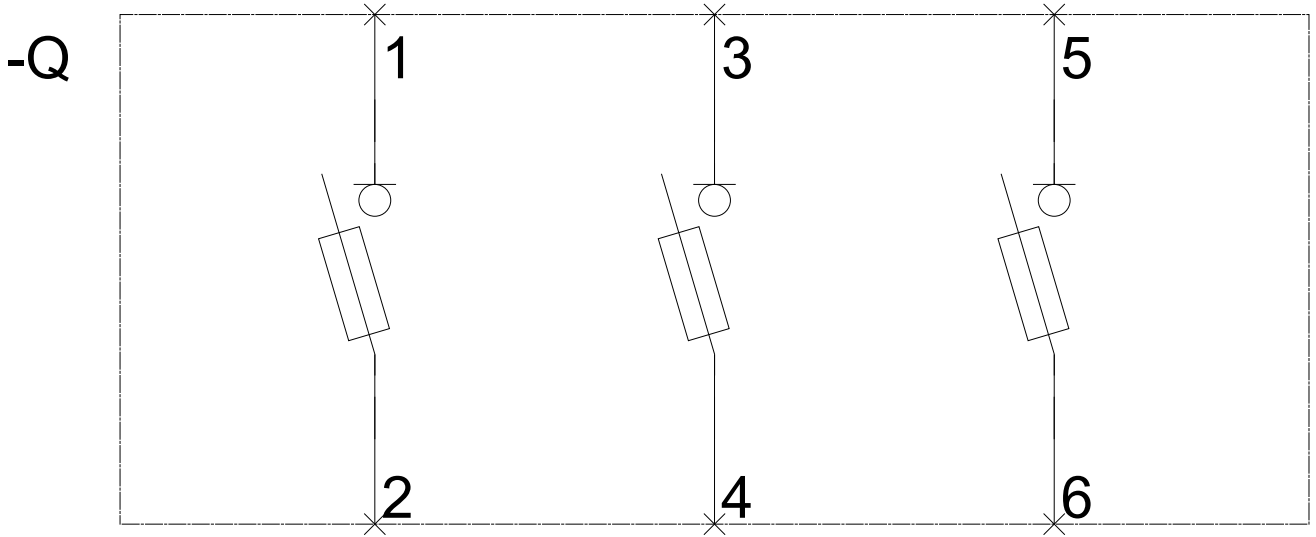
Service&Support (Manuals, Certificates, Characteristics, FAQs,...)

<https://support.industry.siemens.com/cs/ww/tr/ps/3NP1943-1GB10>

Image database (product images, 2D dimension drawings, 3D models, device circuit diagrams, ...)

http://www.automation.siemens.com/bilddb/cax_en.aspx?mlfb=3NP1943-1GB10





-CB

