

Handle unit standard, without Fuse monitoring, for Size NH3,  
accessory for fuse switch disconnecter 3NP1



## Versiyon

ürün marka adı

SETRON

## Sertifikalar

General Product Approval

Declaration of Conformity

[Miscellaneous](#)



EG-Konf.

## Diğer bilgiler

**Information- and Downloadcenter (Catalogs, Brochures,...)**

<http://www.siemens.com/lowvoltage/catalogs>

**Industry Mall (Online ordering system)**

<https://mall.industry.siemens.com/mall/tr/tr/Catalog/product?mlfb=3NP1963-1GA00>

**Service&Support (Manuals, Certificates, Characteristics, FAQs,...)**

<https://support.industry.siemens.com/cs/ww/tr/ps/3NP1963-1GA00>

**Image database (product images, 2D dimension drawings, 3D models, device circuit diagrams, ...)**

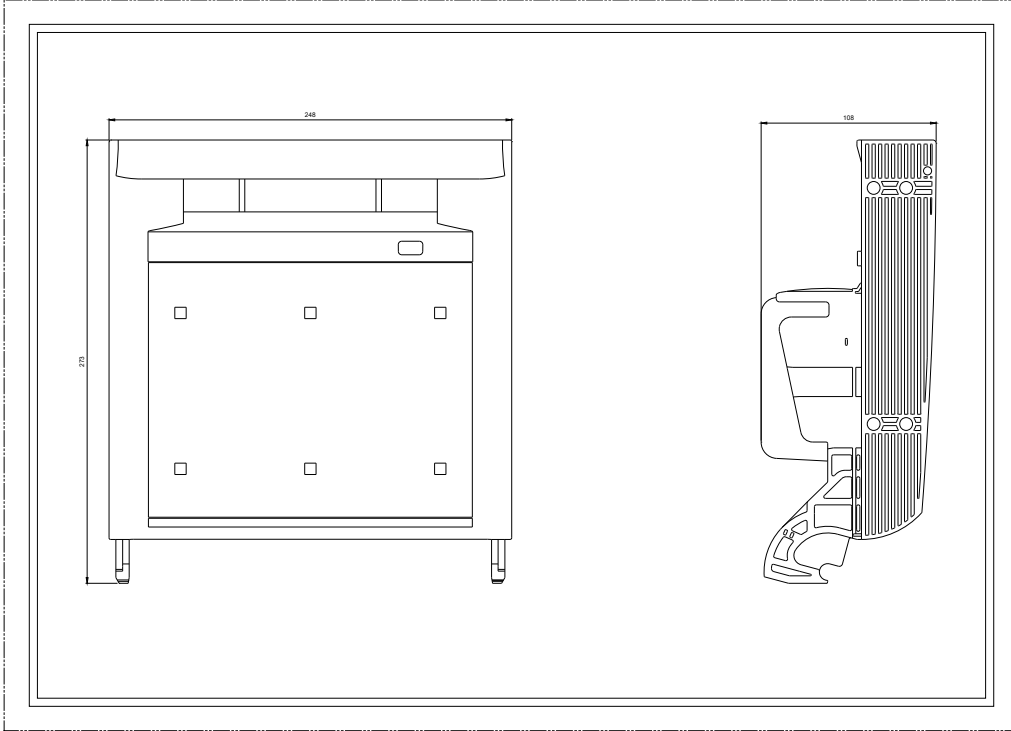
[http://www.automation.siemens.com/bilddb/cax\\_en.aspx?mlfb=3NP1963-1GA00](http://www.automation.siemens.com/bilddb/cax_en.aspx?mlfb=3NP1963-1GA00)

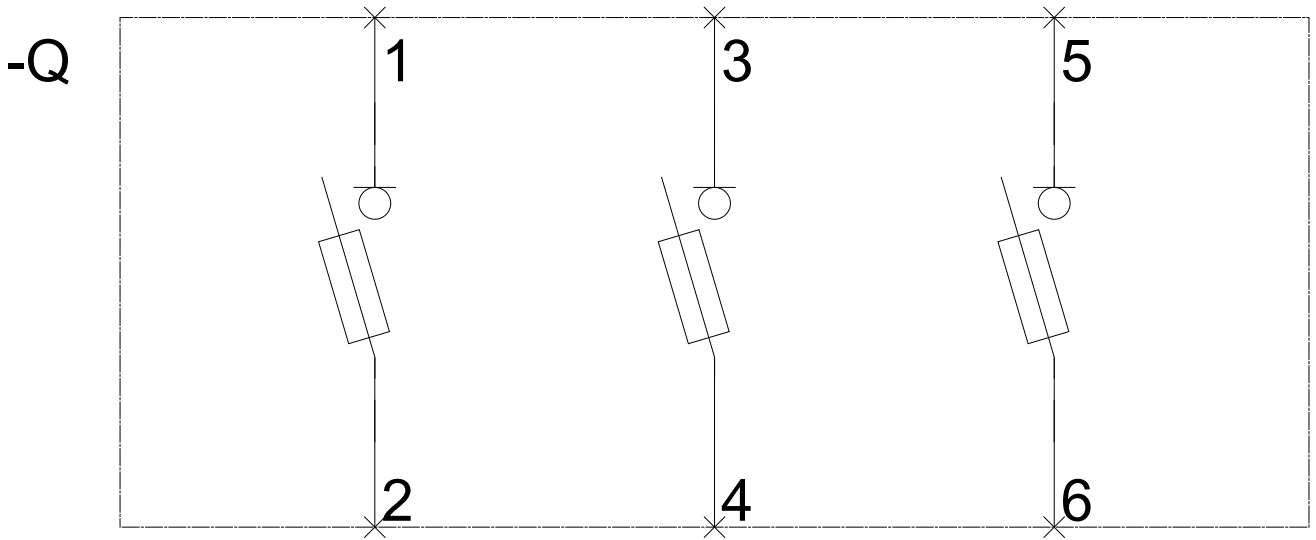
**CAX-Online-Generator**

<http://www.siemens.com/cax>

**Tender specifications**

<http://www.siemens.com/specifications>





-CB

