

Handle unit with EFM10, for Size NH3, accessory for fuse switch disconnector 3NP1



## Versiyon

ürün marka adı

SETRON

## Sertifikalar

General Product Approval

[Miscellaneous](#)

Declaration of Conformity



EG-Konf.

Test Certificates

[Type Test Certificates/Test Report](#)

## Diğer bilgiler

**Information- and Downloadcenter (Catalogs, Brochures,...)**

<http://www.siemens.com/lowvoltage/catalogs>

**Industry Mall (Online ordering system)**

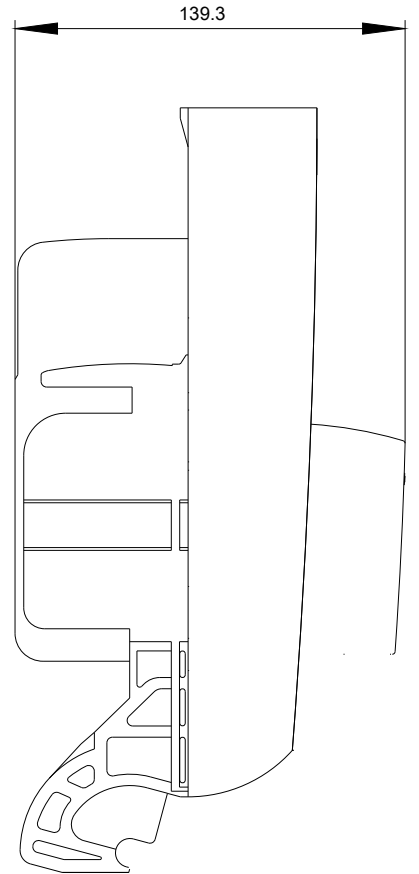
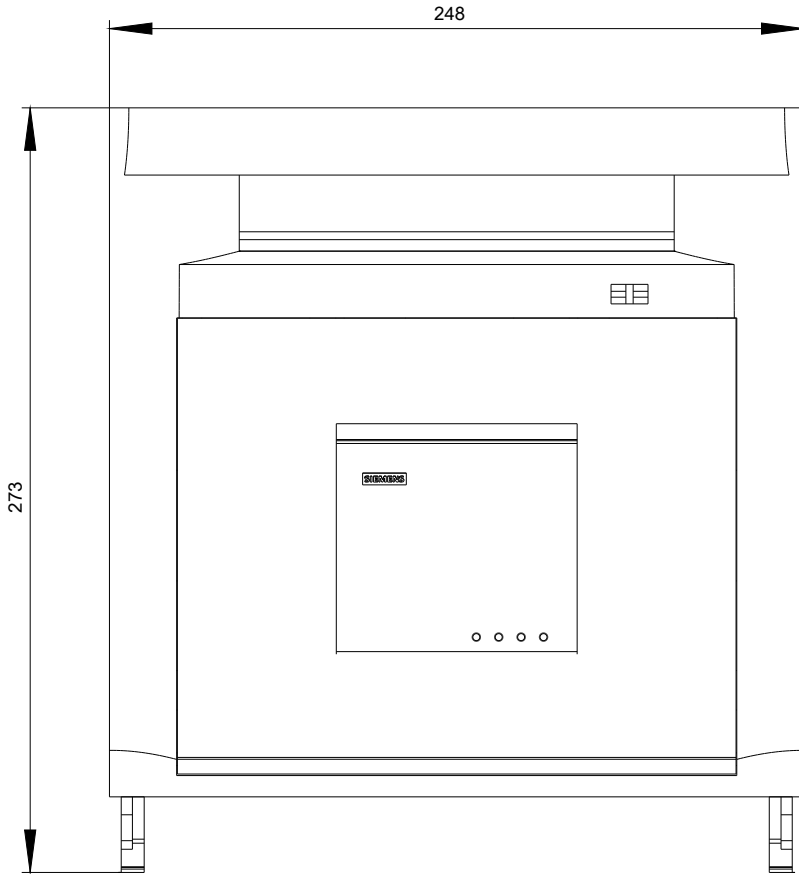
<https://mall.industry.siemens.com/mall/tr/tr/Catalog/product?mlfb=3NP1963-1GB20>

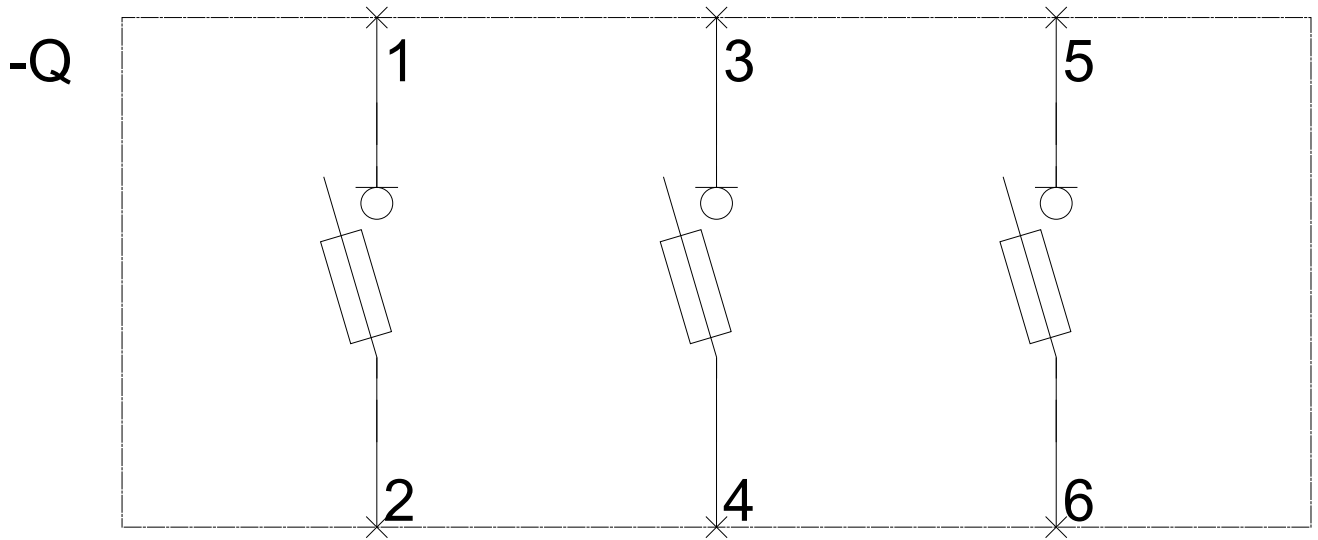
**Service&Support (Manuals, Certificates, Characteristics, FAQs,...)**

<https://support.industry.siemens.com/cs/ww/tr/ps/3NP1963-1GB20>

**Image database (product images, 2D dimension drawings, 3D models, device circuit diagrams, ...)**

[http://www.automation.siemens.com/bilddb/cax\\_en.aspx?mlfb=3NP1963-1GB20](http://www.automation.siemens.com/bilddb/cax_en.aspx?mlfb=3NP1963-1GB20)





-CB

