

Saddle terminal 150 - 300 mm², for size NH3 with screw terminal, accessory for fuse switch disconnecter 3NP1 Contains 3 terminals



Versiyon

ürün marka adı

SETRON

Sertifikalar

General Product Approval

Declaration of Conformity

[Miscellaneous](#)



EG-Konf.

Diğer bilgiler

Information- and Downloadcenter (Catalogs, Brochures,...)

<http://www.siemens.com/lowvoltage/catalogs>

Industry Mall (Online ordering system)

<https://mall.industry.siemens.com/mall/tr/tr/Catalog/product?mlfb=3NP1963-1BA00>

Service&Support (Manuals, Certificates, Characteristics, FAQs,...)

<https://support.industry.siemens.com/cs/ww/tr/ps/3NP1963-1BA00>

Image database (product images, 2D dimension drawings, 3D models, device circuit diagrams, ...)

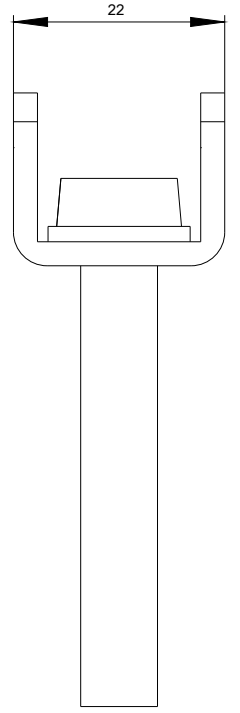
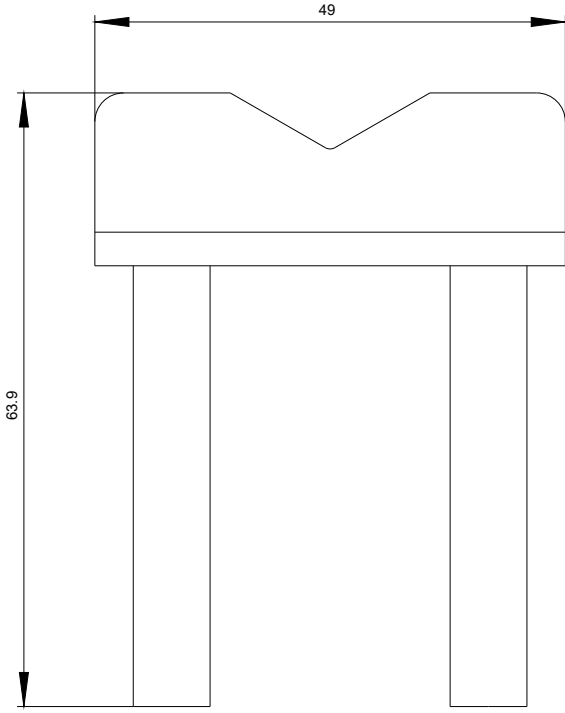
http://www.automation.siemens.com/bilddb/cax_en.aspx?mlfb=3NP1963-1BA00

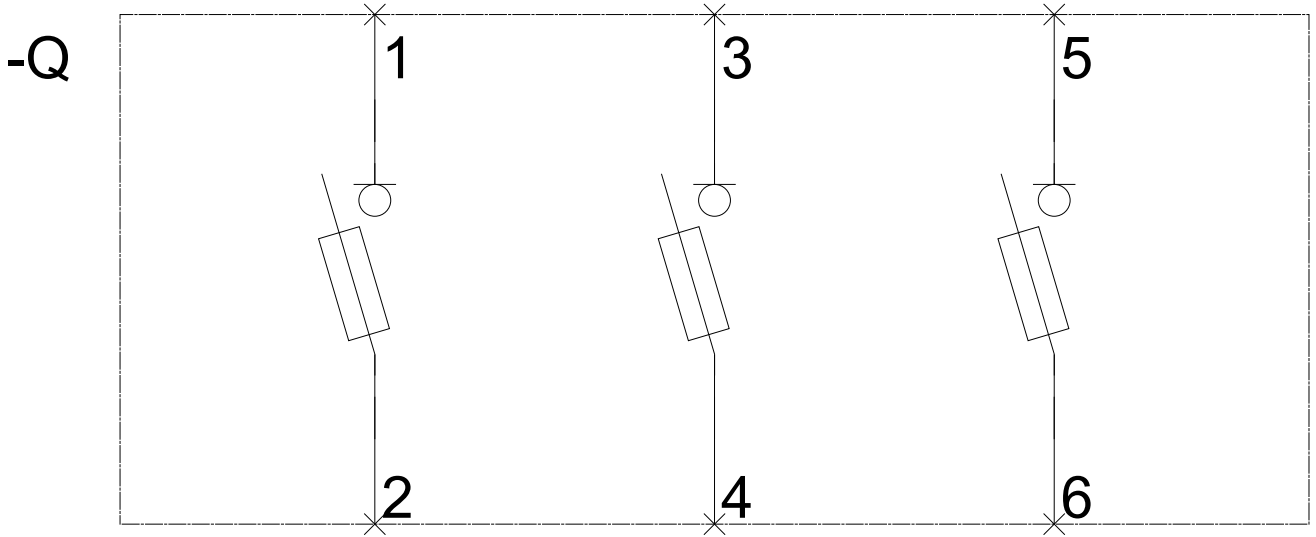
CAX-Online-Generator

<http://www.siemens.com/cax>

Tender specifications

<http://www.siemens.com/specifications>





-CB

