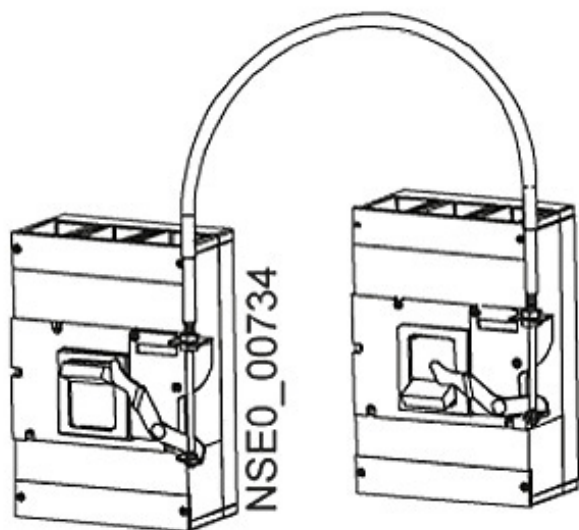


附件 用于 VL160X-VL1600 , 鲍登线 , 1.5m , 用于机械联锁装置



版本

产品品牌名称

SENTRON

净重

0.65 kg

证书

General Product Approval	EMC	Declaration of Conformity	Test Certificates	Shipping Approval
--------------------------	-----	---------------------------	-------------------	-------------------

[Miscellaneous](#)



C-Tick



EG-Konf.

[Special Test Certificate](#)



PRS



RINA

Shipping Approval	other
-------------------	-------



RMRS

[Confirmation](#)

[Environmental Conformations](#)

[Miscellaneous](#)

[Manufacturer Declaration](#)

更多信息

Information- and Downloadcenter (产品目录, 产品介绍册, ...)

<http://www.siemens.com/lowvoltage/catalogs>

Industry Mall (网上订购系统)

<https://mall.industry.siemens.com/mall/zh/zh/Catalog/product?mlfb=3VL9000-8LH30>

Service&Support (用户手册, 操作说明书, 认证证书, 特性曲线, 常见问题,...)

<https://support.industry.siemens.com/cs/ww/zh/ps/3VL9000-8LH30>

图片数据库 (产品照片, 2D比例图, 3D模型, 设备电路图, ...)

http://www.automation.siemens.com/bilddb/cax_en.aspx?mlfb=3VL9000-8LH30

CAX-Online-Generator

<http://www.siemens.com/cax>

Tender specifications

<http://www.siemens.com/specifications>